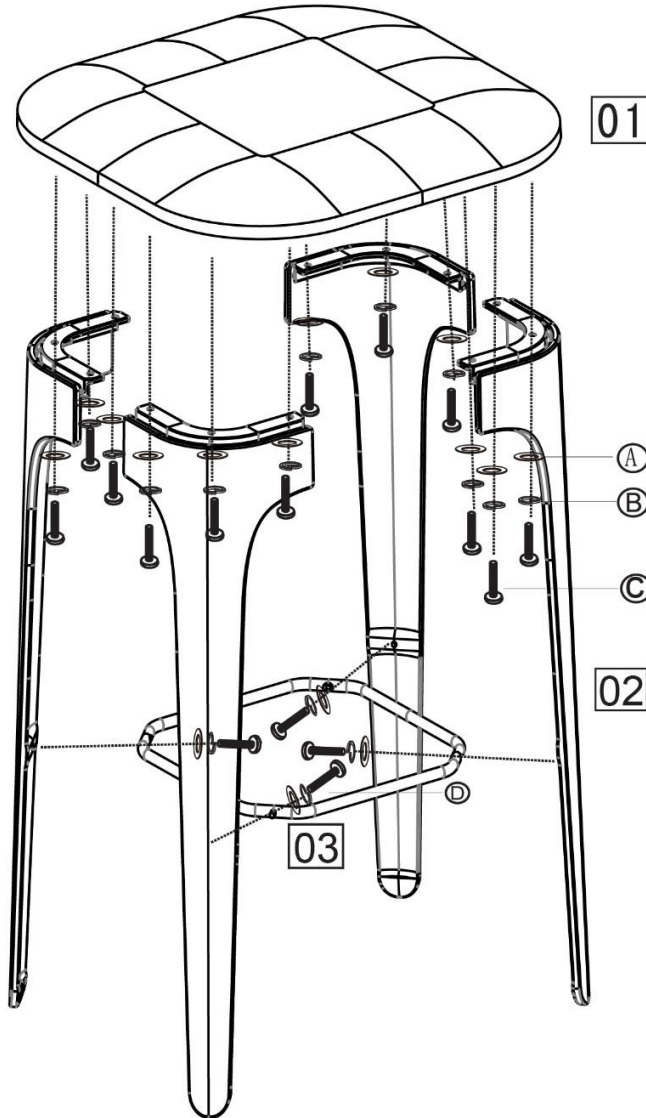


COMPONENT PARTS



COMPONENT CHECKLIST

PART	No.	Qty.	
Seat	01	1	<input type="checkbox"/>
Leg	02	4	<input type="checkbox"/>
Ottoman	03	1	<input type="checkbox"/>

FITTINGS

(A)		X 16
(B)		X 16
(C)		X 16

TOOLS REQUIRED



Allen key (supplied)