





## ASSEMBLY INSTRUCTIONS

Read this instruction carefully. Refer hardware and furniture parts list for guidance. Be sure all parts are complete, before assembling. Place all wooden furniture part on a clean and flat soft surface to prevent scratches. Refer steps provided as assembling guide.

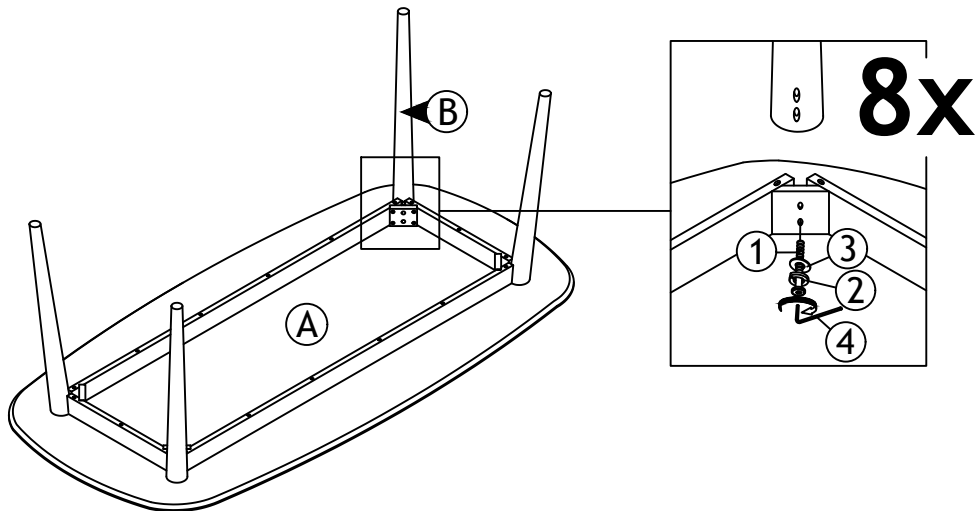
**CAUTIONS :**

1. Do not **FULLY-TIGHTEN** the nuts or nut bolts until all are in place.
2. To prevent thread damage. Ensure that nuts or nut bolts are not over-tighten.
3. Hardware are to be kept out of reach from children.

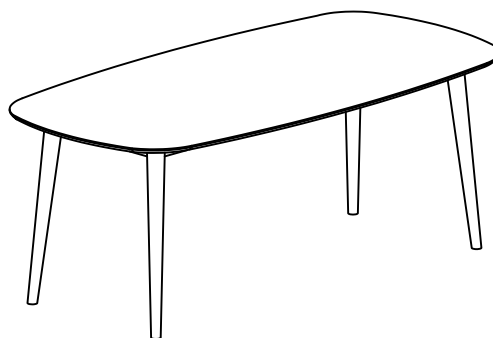
| PART LIST |             |       |
|-----------|-------------|-------|
| ITEM      | DESCRIPTION | QTY   |
| A         | TABLE TOP   | 1 PC  |
| B         | TABLE LEG   | 4 PCS |

| HARDWARE LIST |  |       |
|---------------|--|-------|
| ITEM          | DESCRIPTION  | QTY   |
| 1             | JCBB SCREW M8 x 70MM  | 8 PCS |
| 2             | SPRING WASHER 5/16"   | 8 PCS |
| 3             | FLAT WASHER 5/16"     | 8 PCS |
| 4             | ALLEN KEY M5          | 1 PC  |

**STEP 1**



**STEP 2**



**ASSEMBLY COMPLETED**