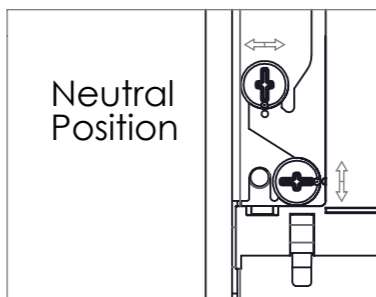
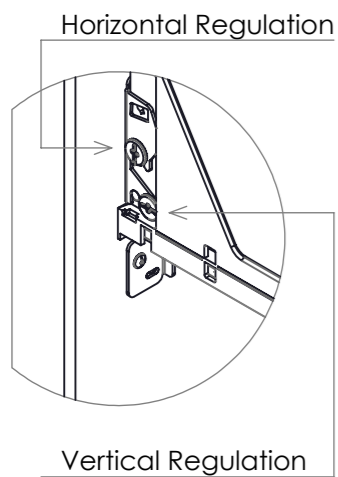
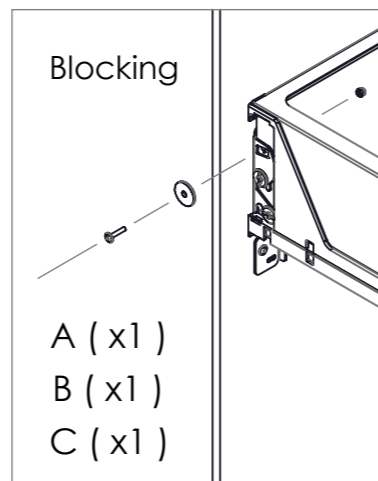


5



Repeat for the Left Side

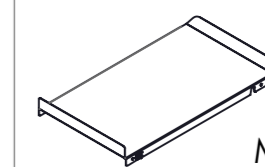


# المنزلة

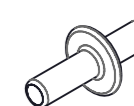
1 9 5 4

## BLOCK 2.0

### Optional Components



M (x1)



N (x4)

Model P47 : L = 334

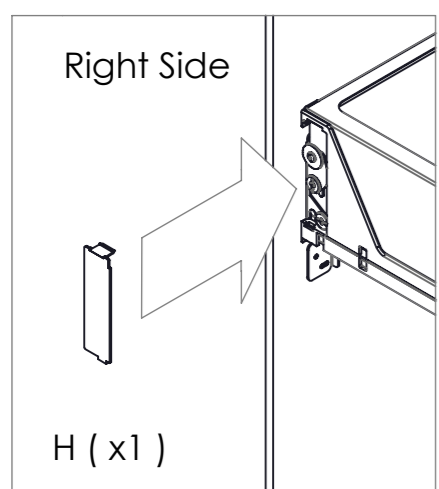
Model P42 : L = 284

Model P35 : L = 224



O (x4)

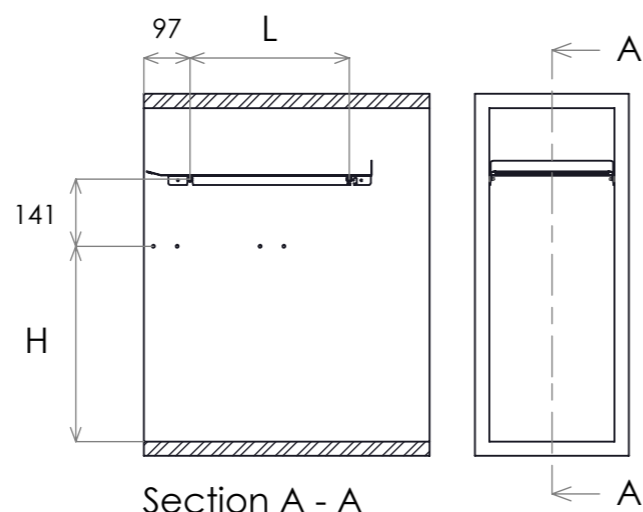
6



Repeat for the Left Side  
G (x1)

7 ( Optional )

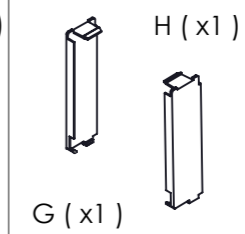
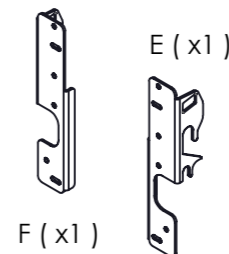
M (x1) , N (x4) , O (x4)



### Components

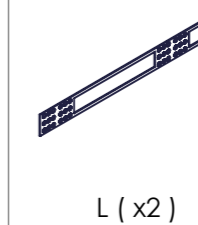
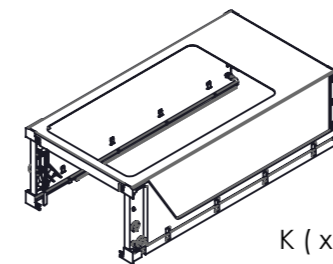
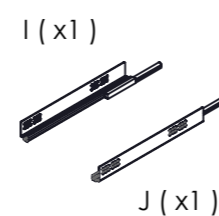
A (x2)

B (x2)

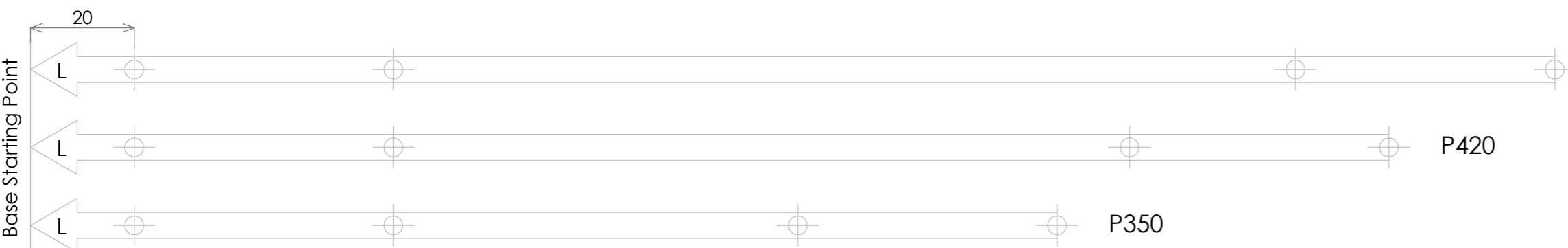
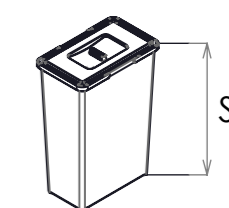


C (x2)

D (x14)



H	S
410	530
320	440
220	340
160	280
100	220



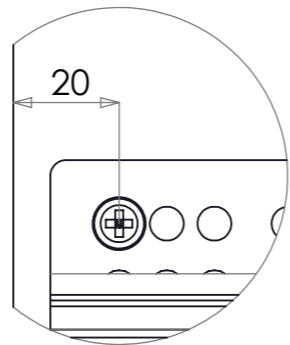
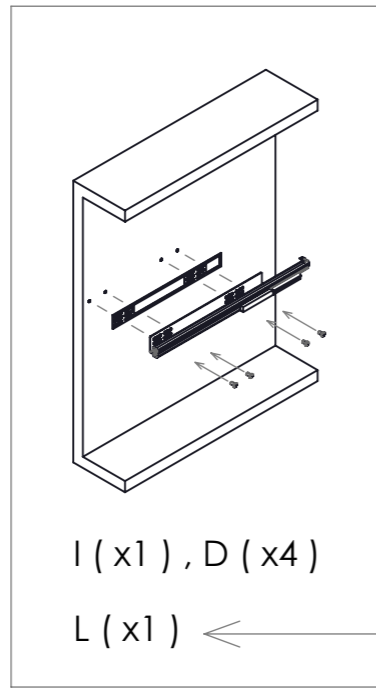
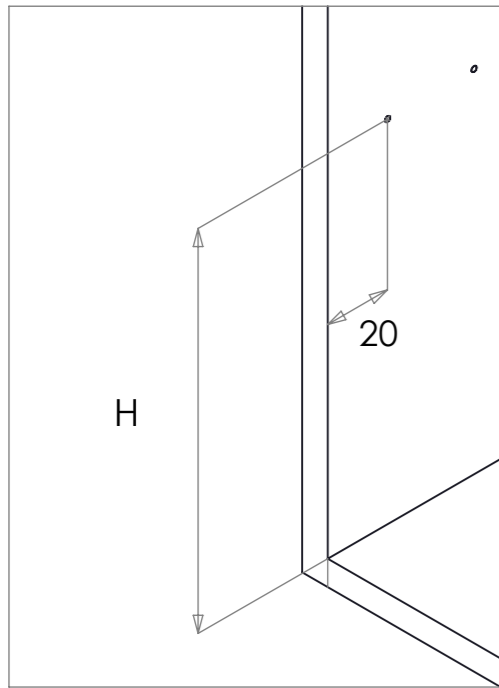
P470

P420

P350

Drilling Template Slider ( L )

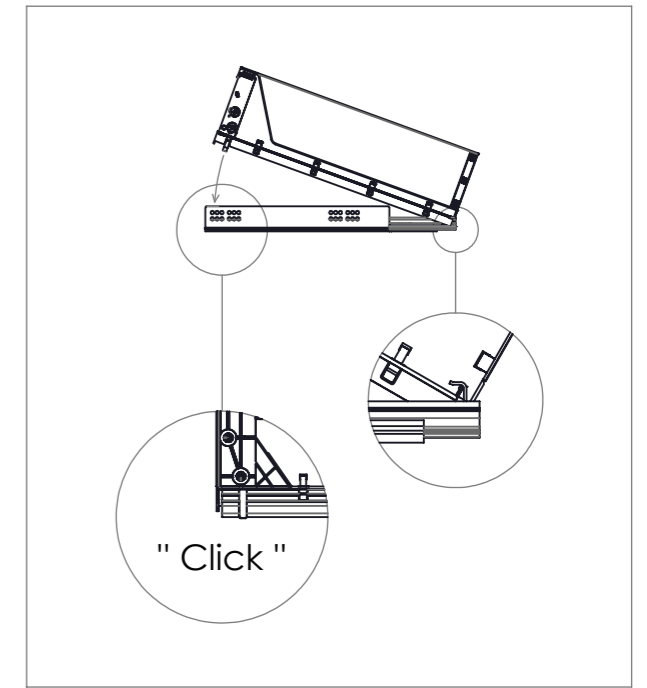
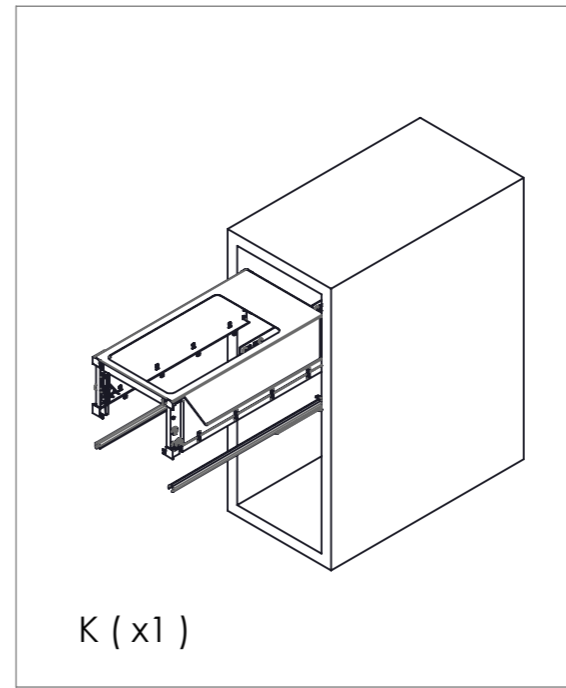
1



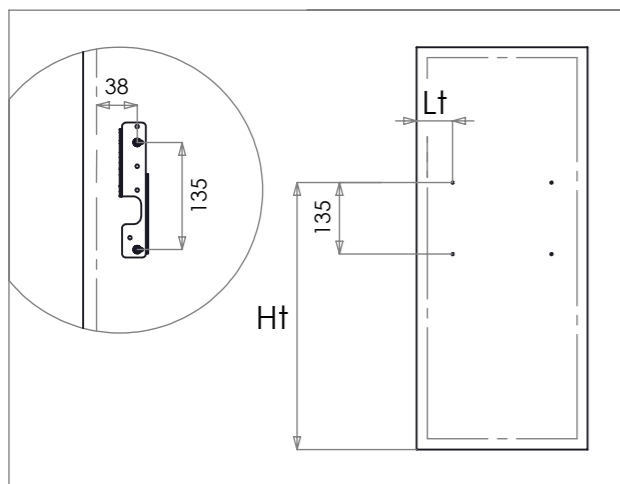
Repeat for the right side  
J ( x1 ) , D ( x4 ) , L ( x1 )

Only for 16 mm  
side panel thickness

2

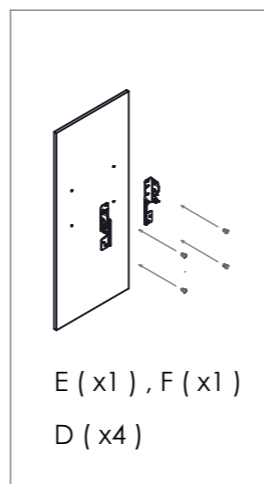
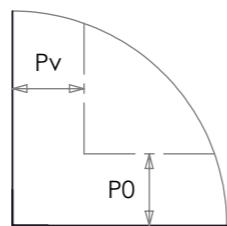


3

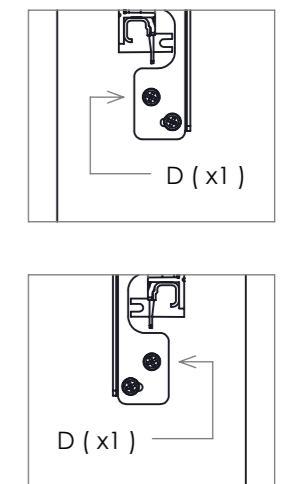
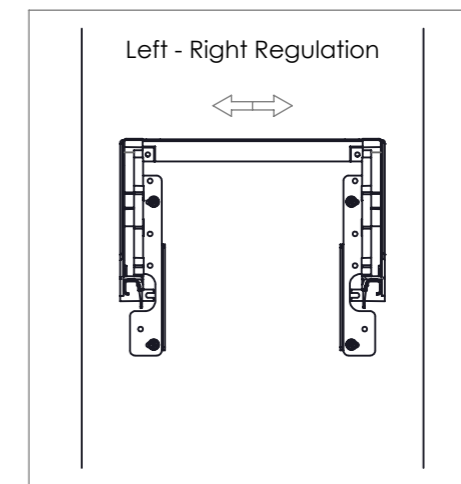
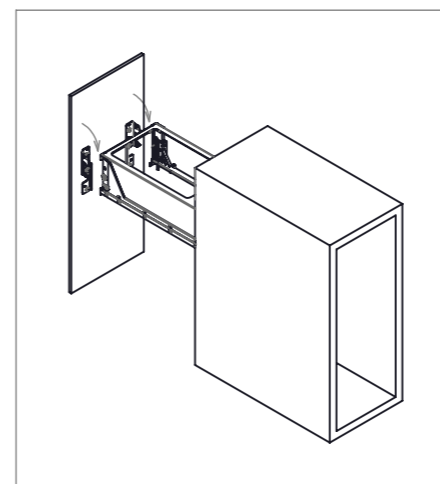


$$Ht = H + P0 + 60$$

$$Lt = Pv + 38$$



4



Base Starting Point