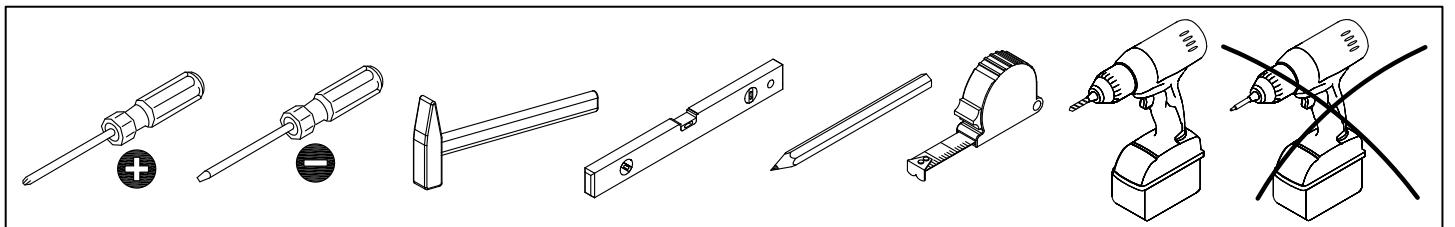
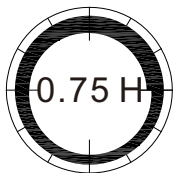
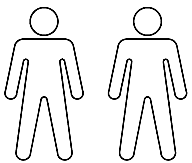
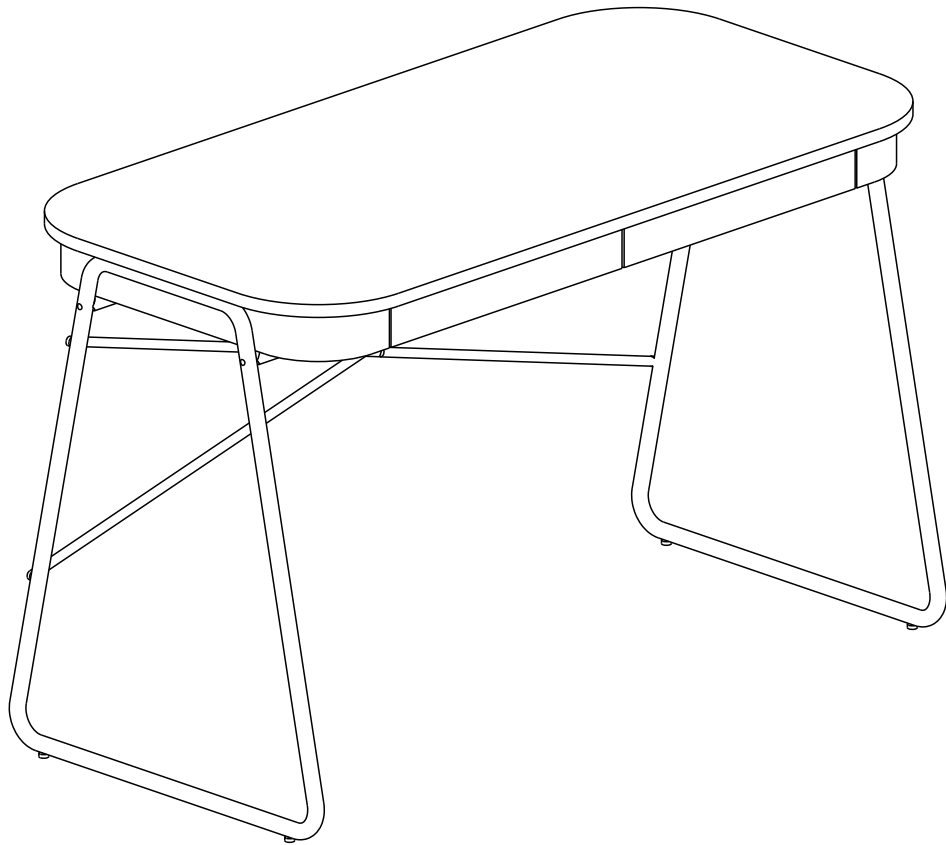
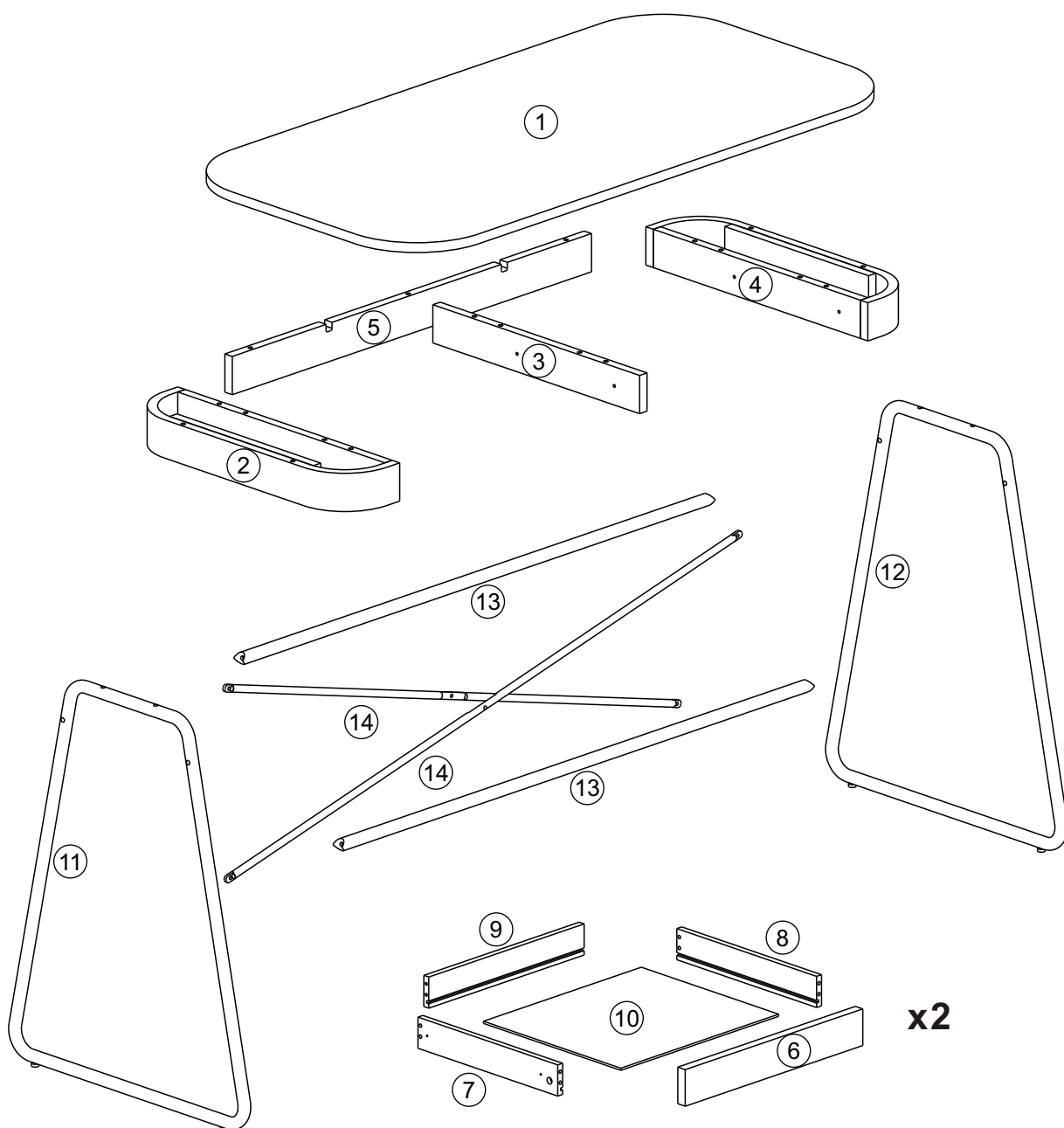


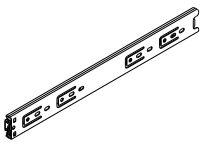
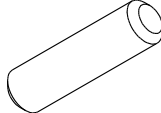
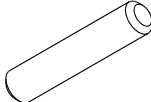
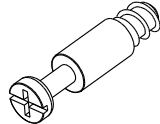
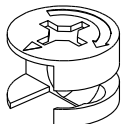
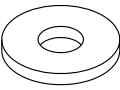
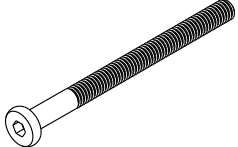
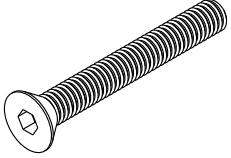
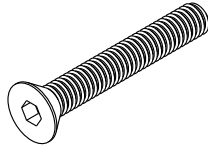
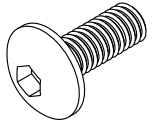
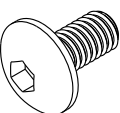
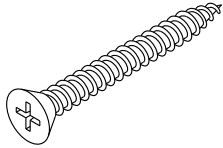
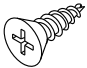
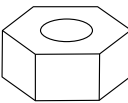
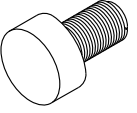
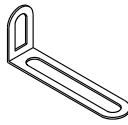

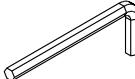
BLUETON



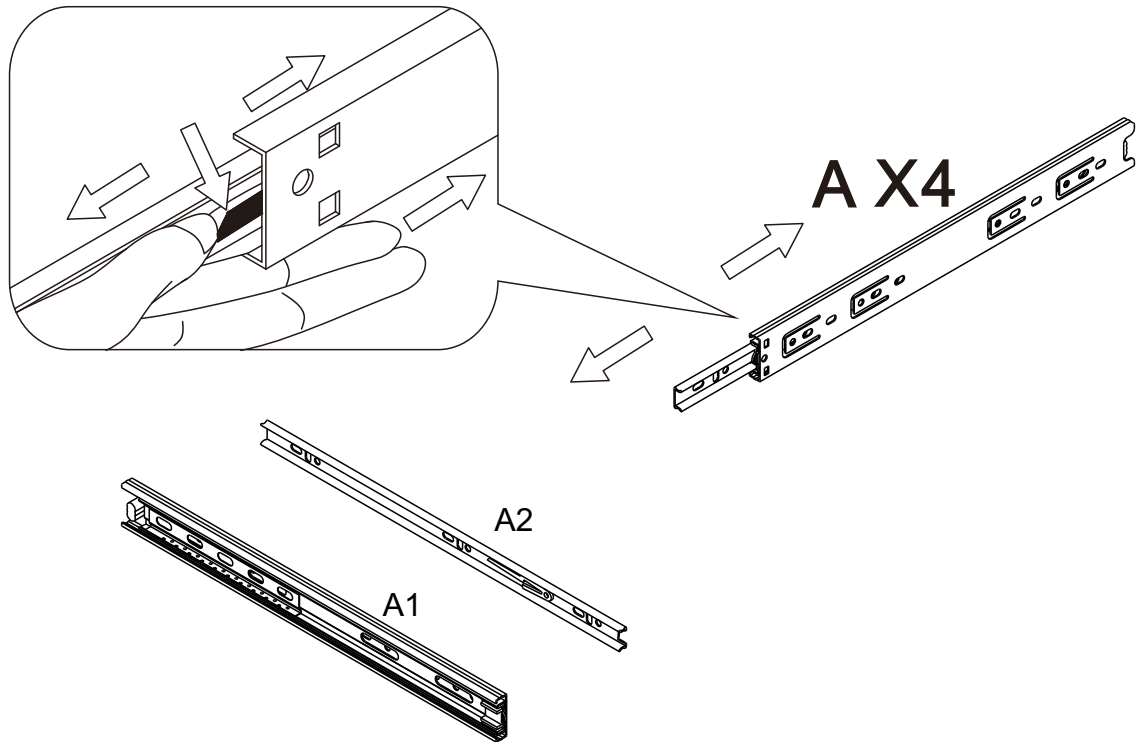
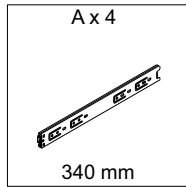
			✓
①	1	1200x600x18mm	
②	1	540x133x70mm	
③	1	501x71x18mm	
④	1	540x133x70mm	
⑤	1	874x70x18mm	
⑥	2	432x67x18mm	
⑦	2	340x57x12mm	

			✓
⑧	2	340x57x12mm	
⑨	2	378x57x12mm	
⑩	2	388x338x4mm	
⑪	1	735x580x22mm	
⑫	1	735x580x22mm	
⑬	2	∅22x1150mm	
⑭	2	1236x19x13mm	

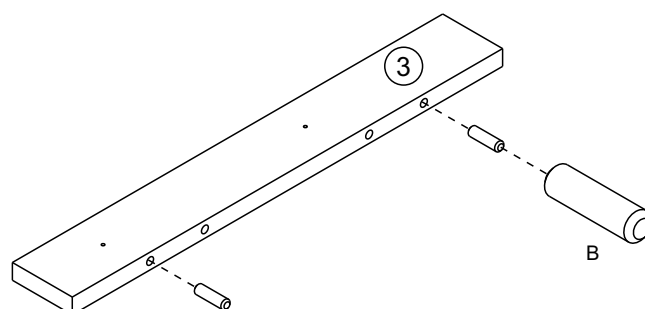
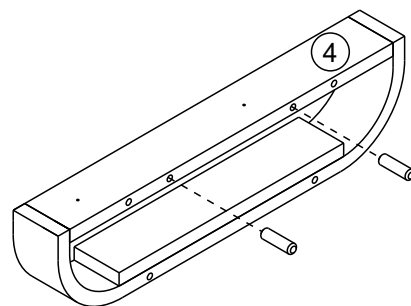
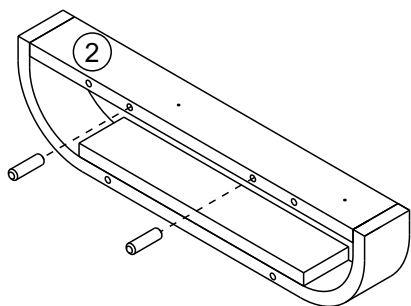
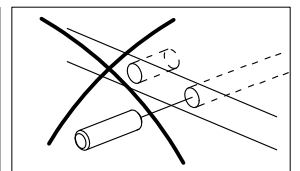
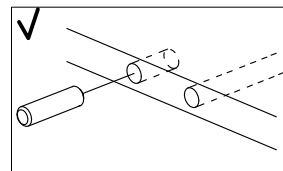
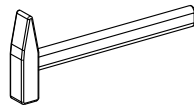
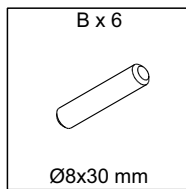


<p>A x 4</p>  <p>340 mm</p>	<p>B x 6</p>  <p>Ø8x30 mm</p>	<p>C x 4</p>  <p>Ø6x30mm</p>	<p>D x 4</p>  <p>Ø6x27 mm</p>	<p>E x 4</p>  <p>Ø12x10 mm</p>
<p>F x 13</p>  <p>Ø6/Ø13mm</p>	<p>G x 13</p>  <p>M6x80 mm</p>	<p>H x 4</p>  <p>M6x40mm</p>	<p>J x 4</p>  <p>M6x30 mm</p>	<p>K x 1</p>  <p>M6x18 mm</p>
<p>L x 8</p>  <p>M6x12 mm</p>	<p>M x 8</p>  <p>Ø4x35 mm</p>	<p>N x 16</p>  <p>Ø3.5x12 mm</p>	<p>P x 1</p>  <p>M6/10 mm</p>	<p>Q x 4</p>  <p>M6/Ø13.5</p>
<p>R x 2</p>  <p>75x25x15 mm</p>	<p>S x 1</p>  <p>10 mm</p>	<p>T x 1</p>  <p>4 mm</p>		

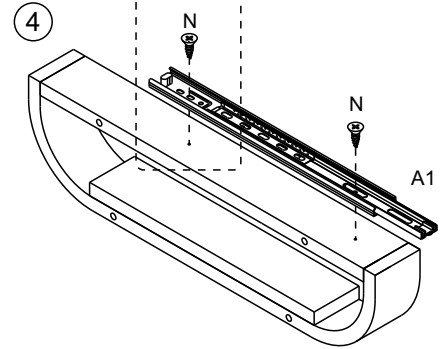
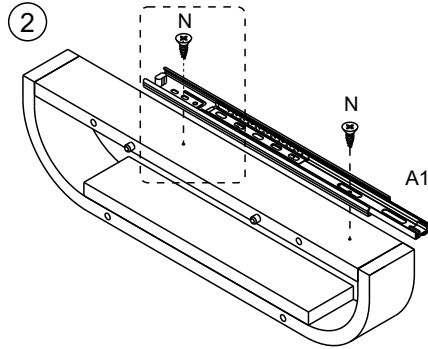
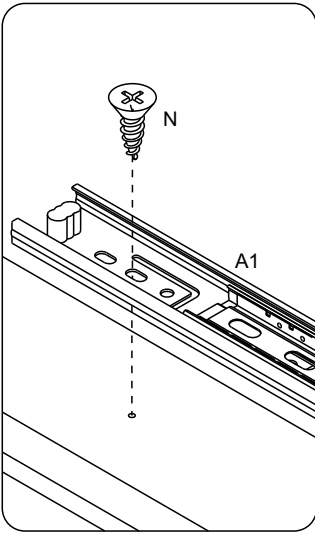
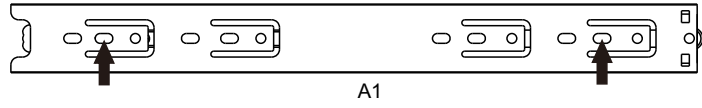
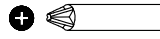
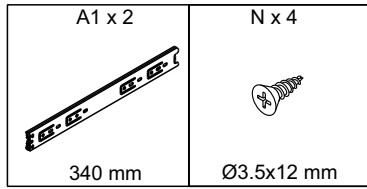
1



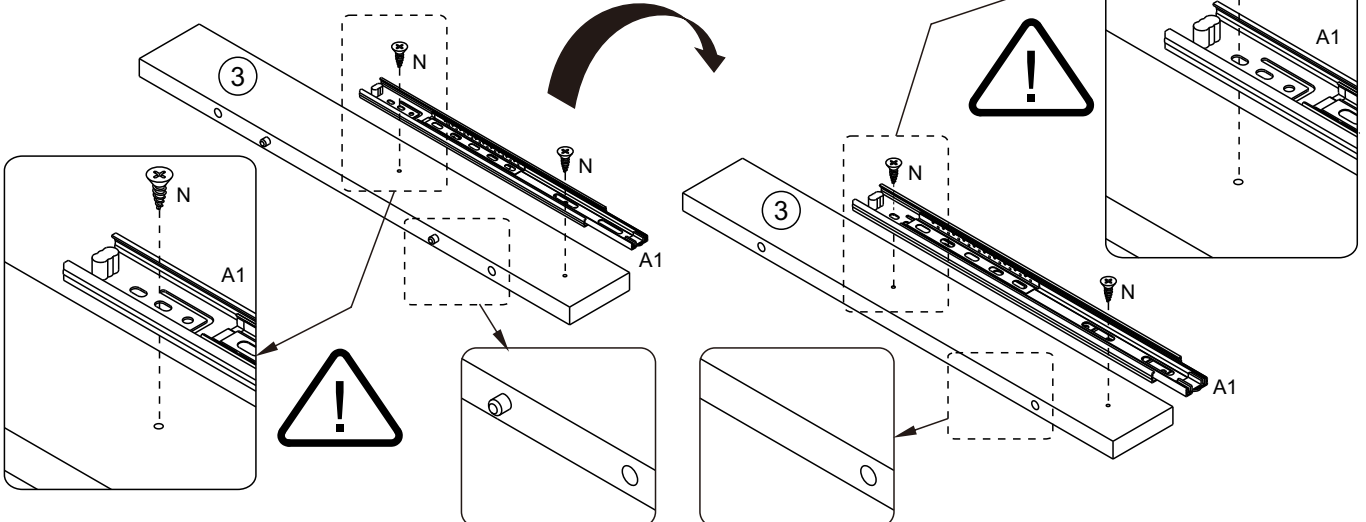
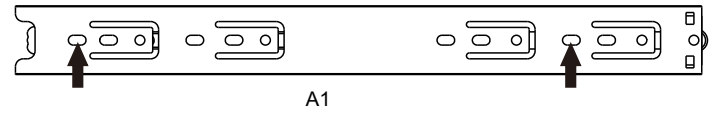
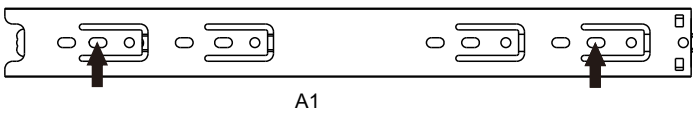
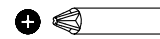
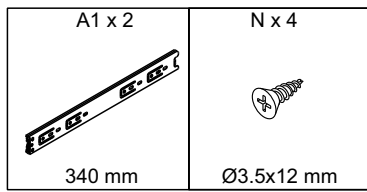
2



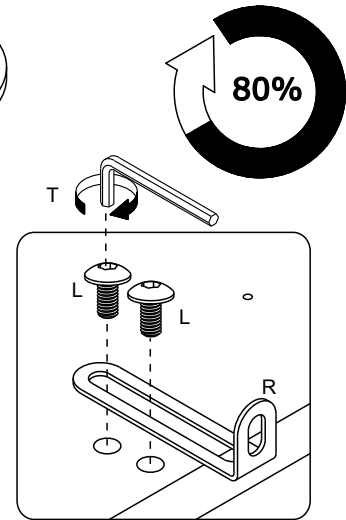
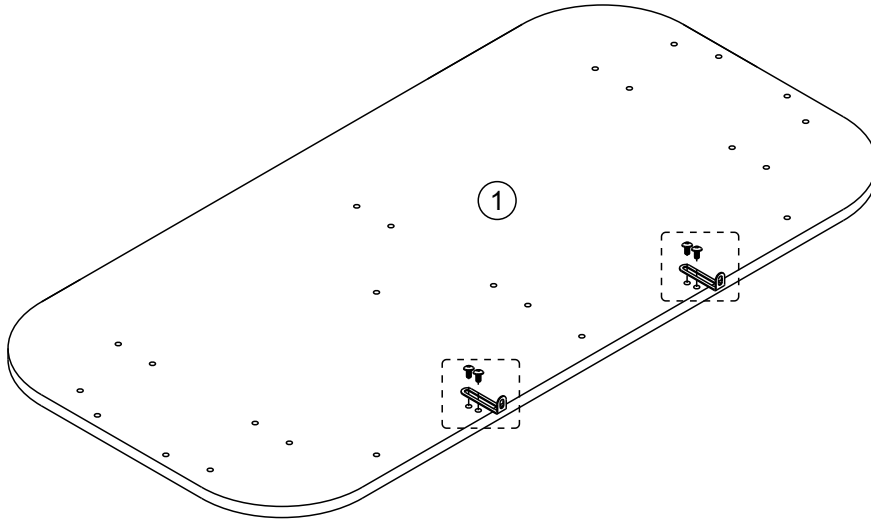
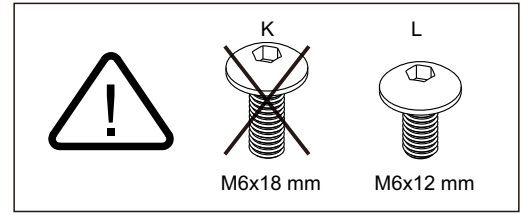
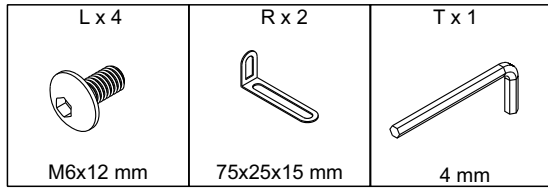
3



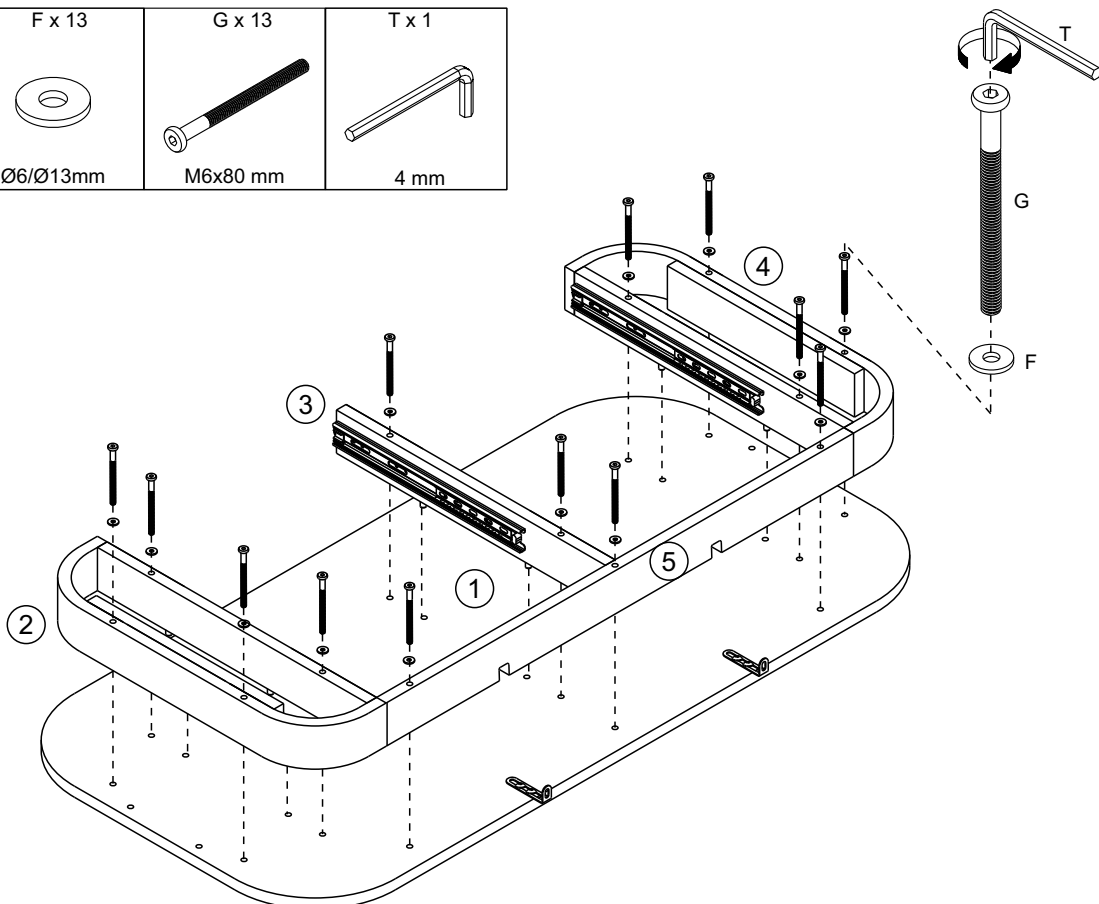
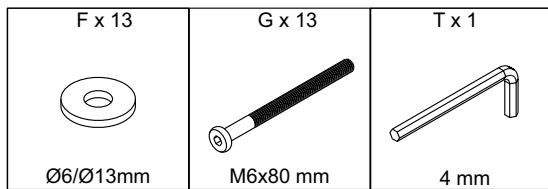
4



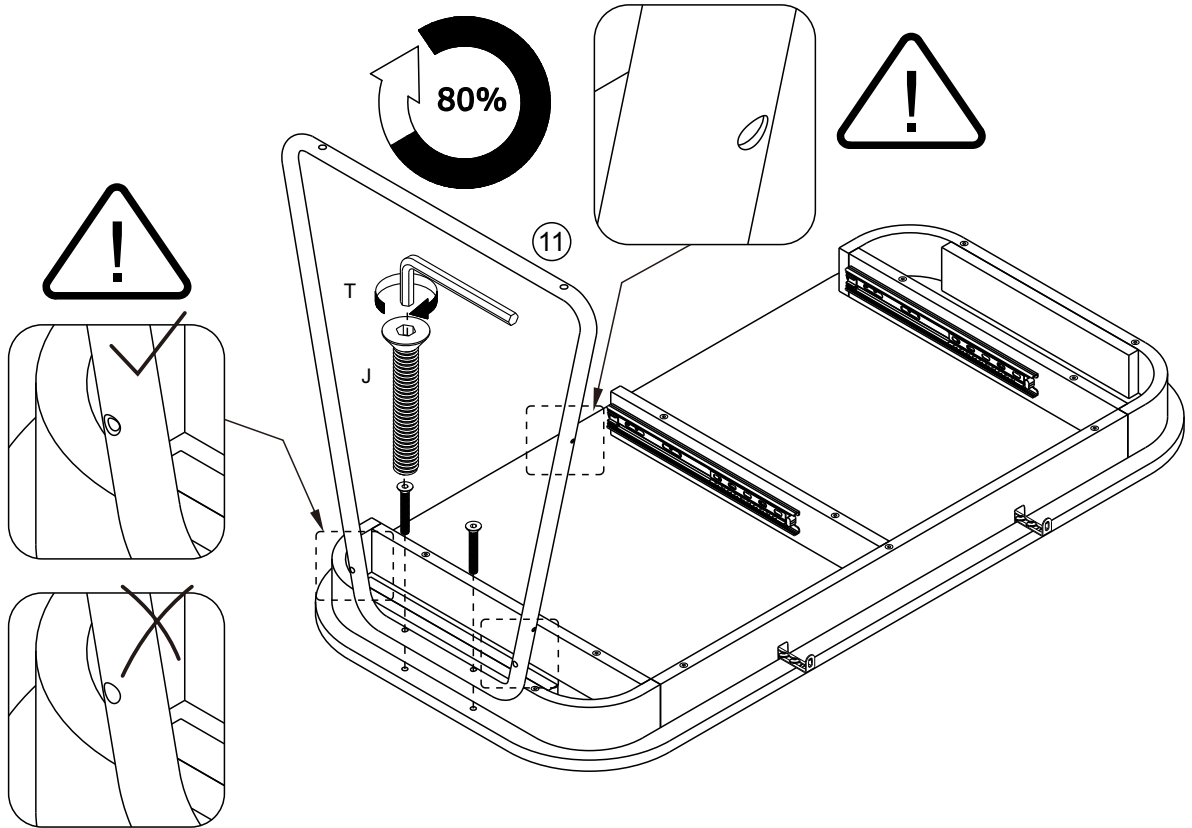
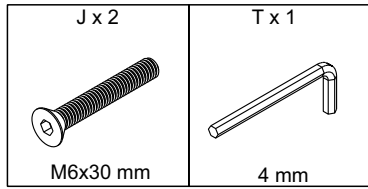
5



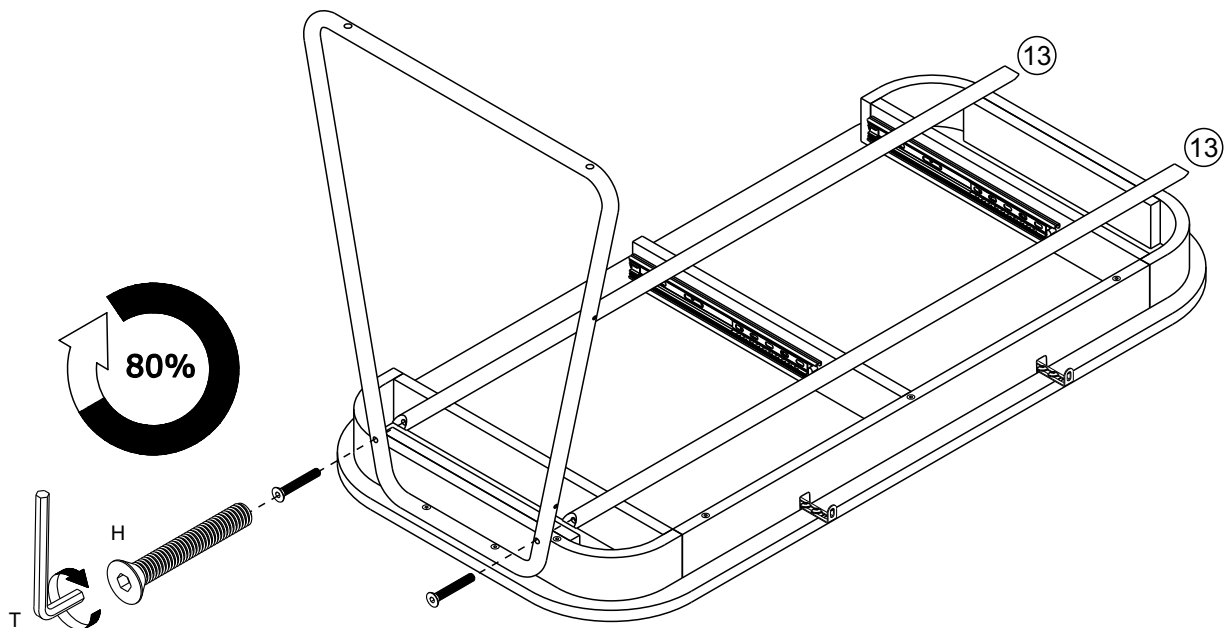
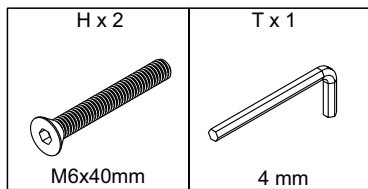
6



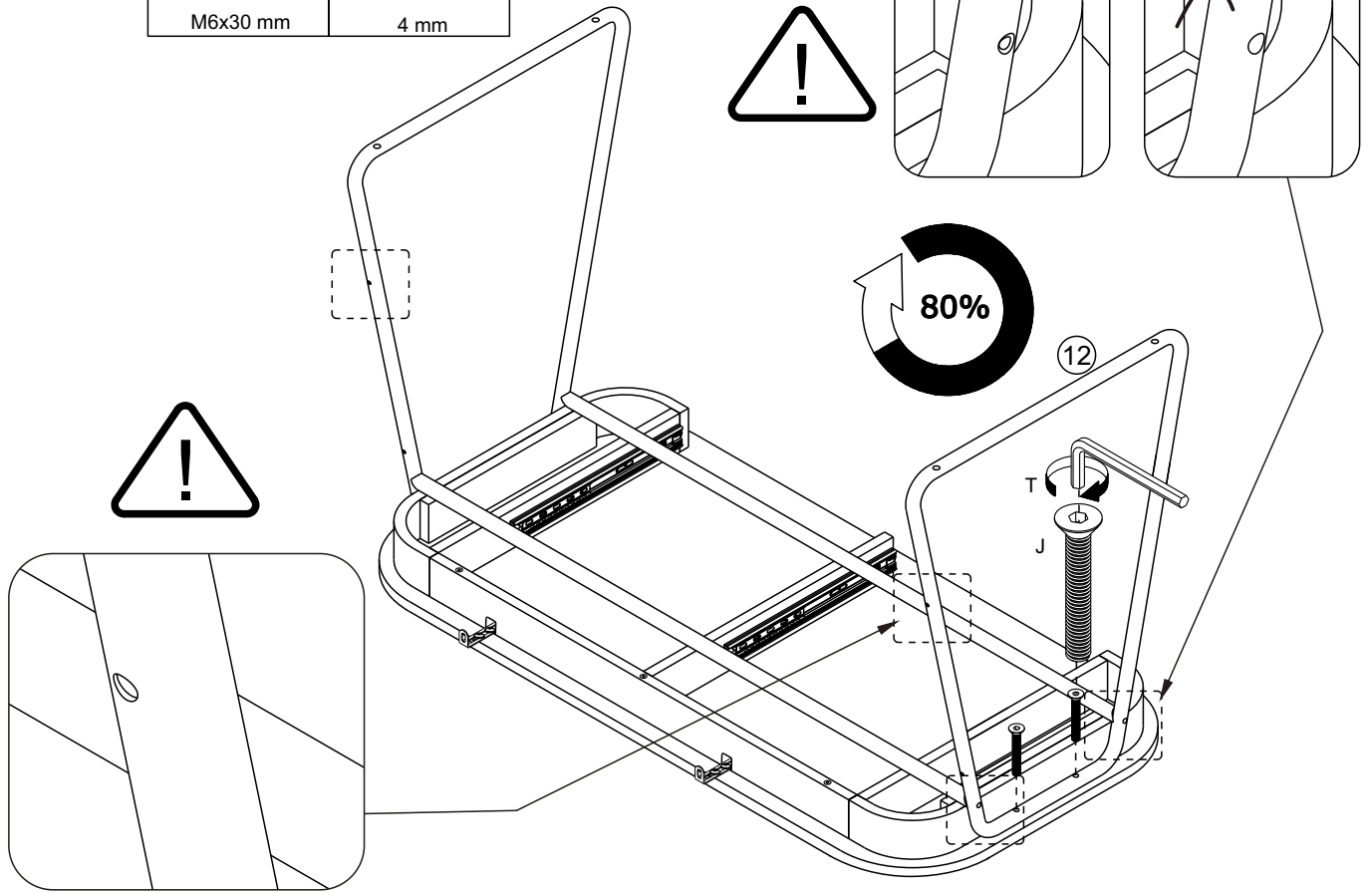
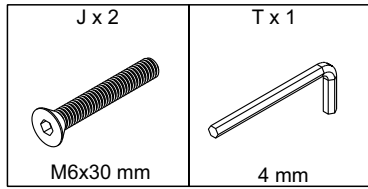
7



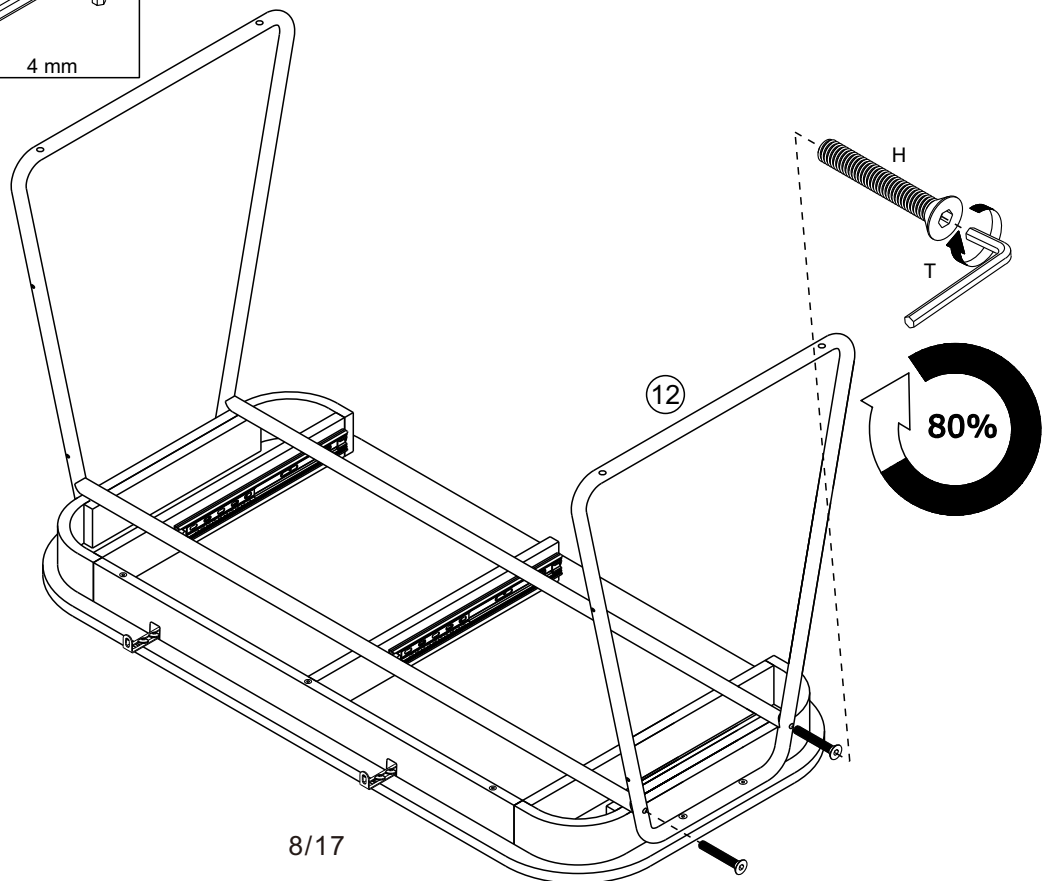
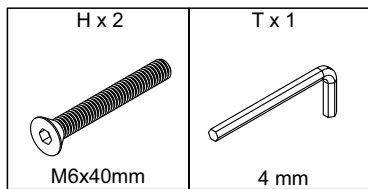
8



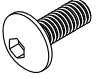
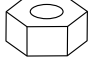


9

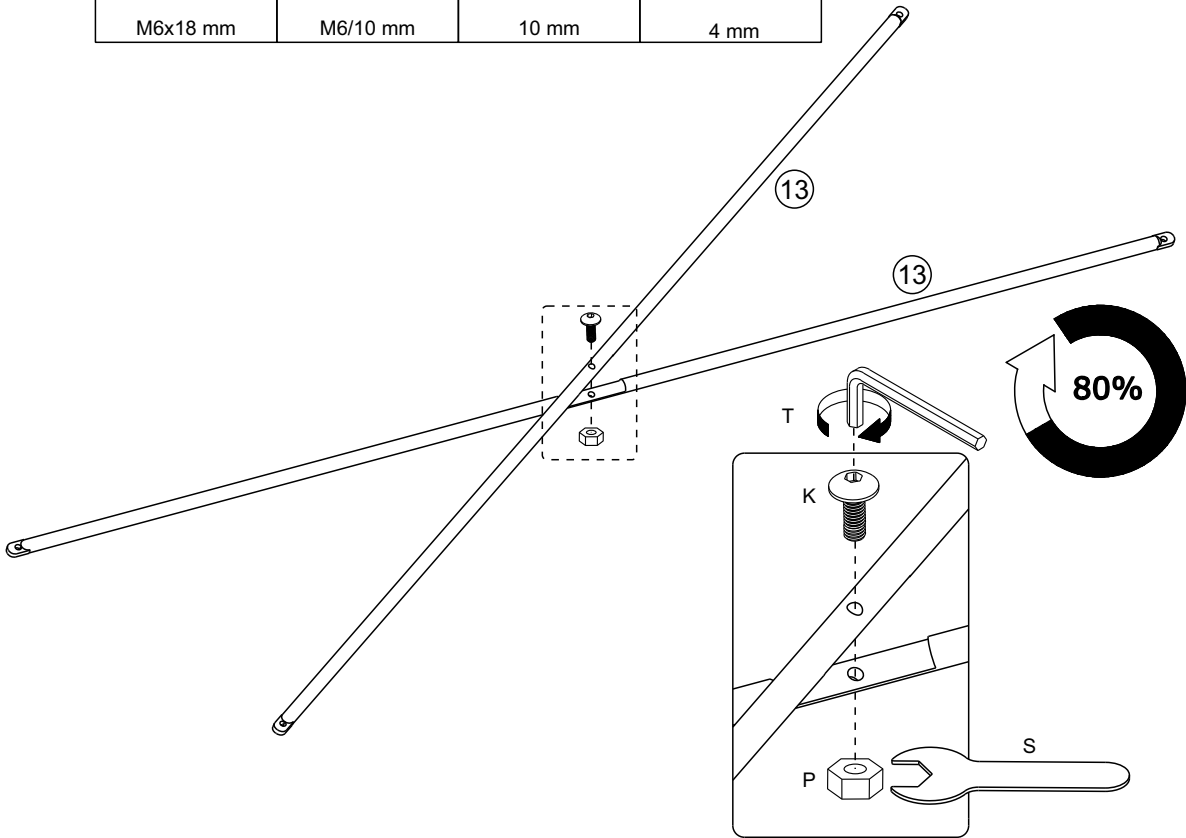


10

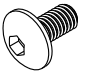
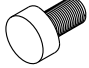
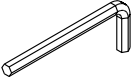


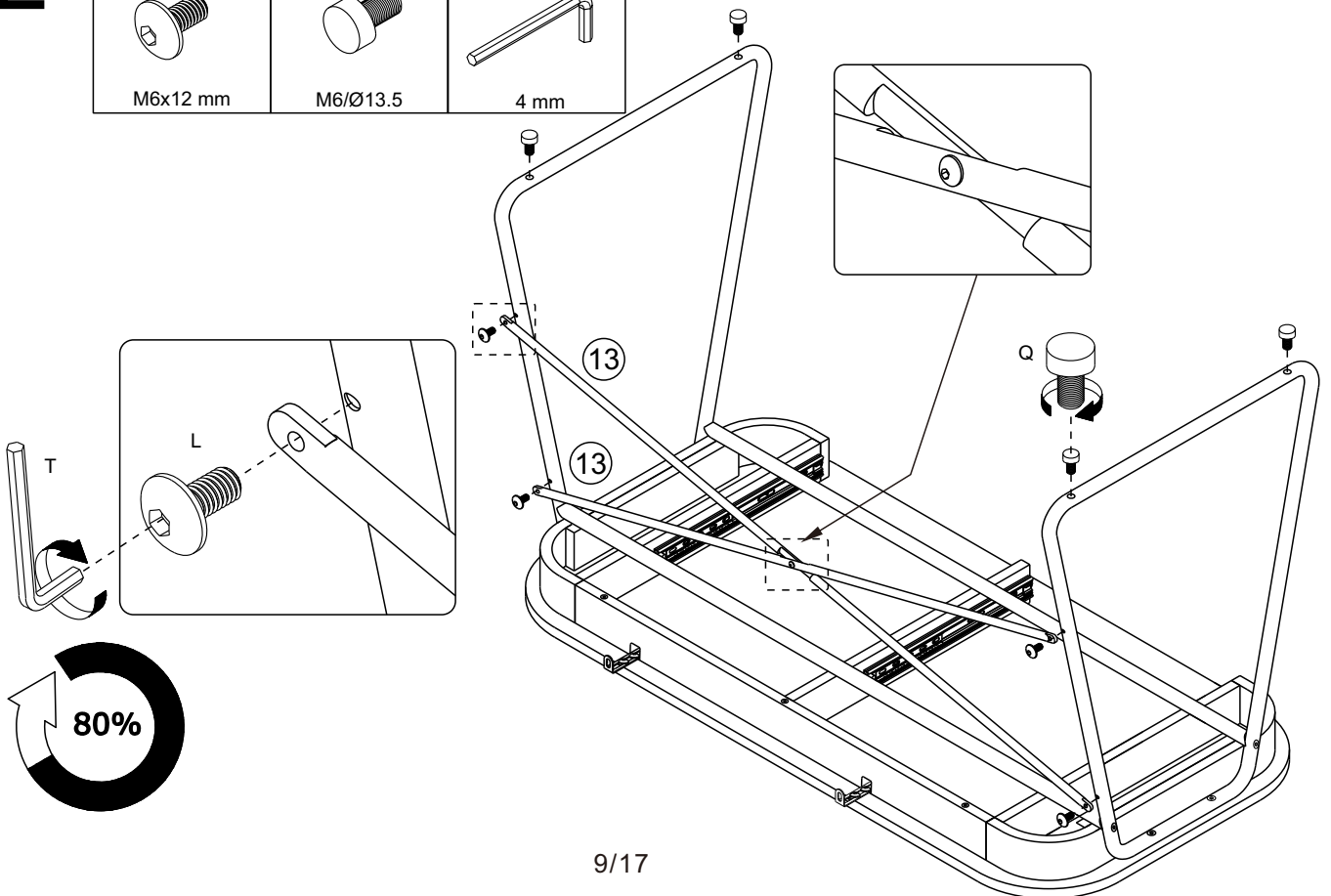
11

K x 1	P x 1	S x 1	T x 1
			
M6x18 mm	M6/10 mm	10 mm	4 mm

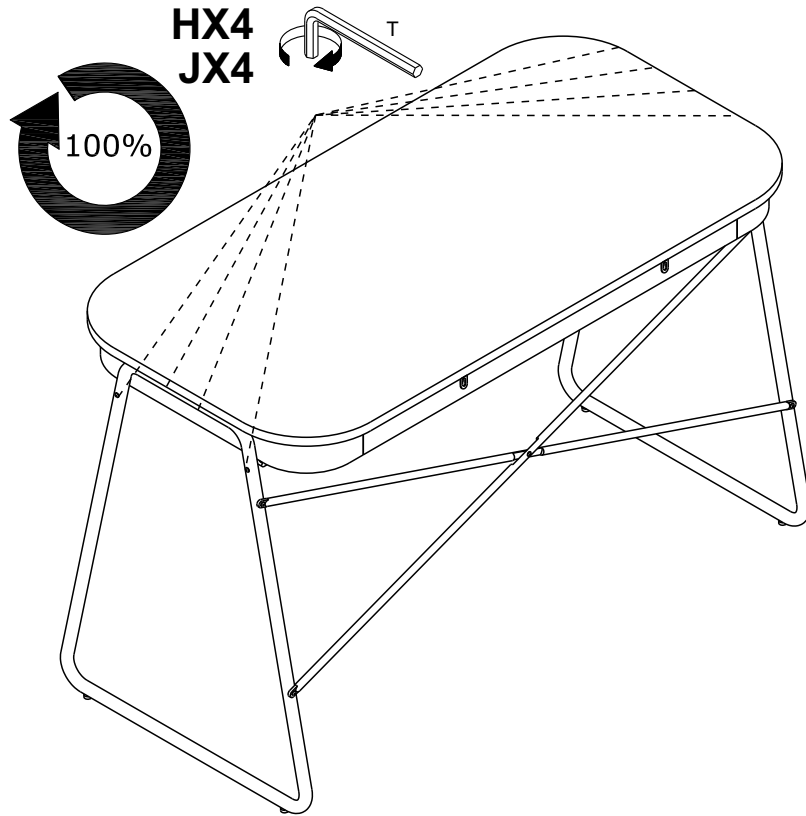
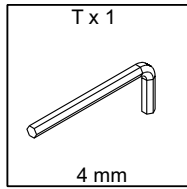


12

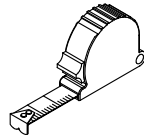
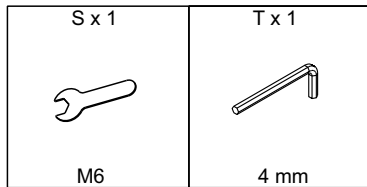
L x 4	Q x 4	T x 1
		
M6x12 mm	M6/Ø13.5	4 mm



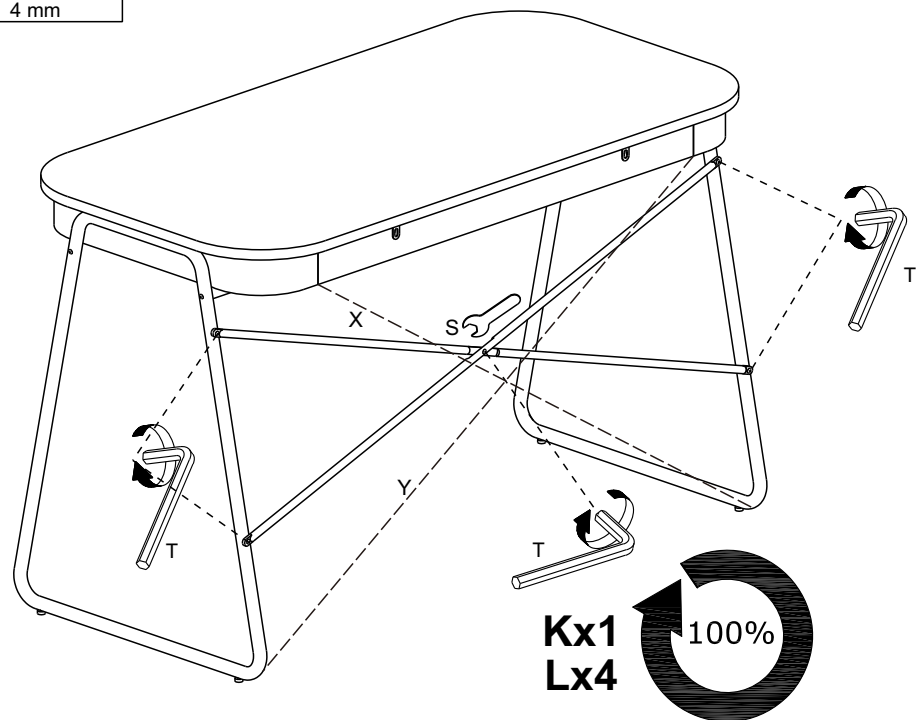
13



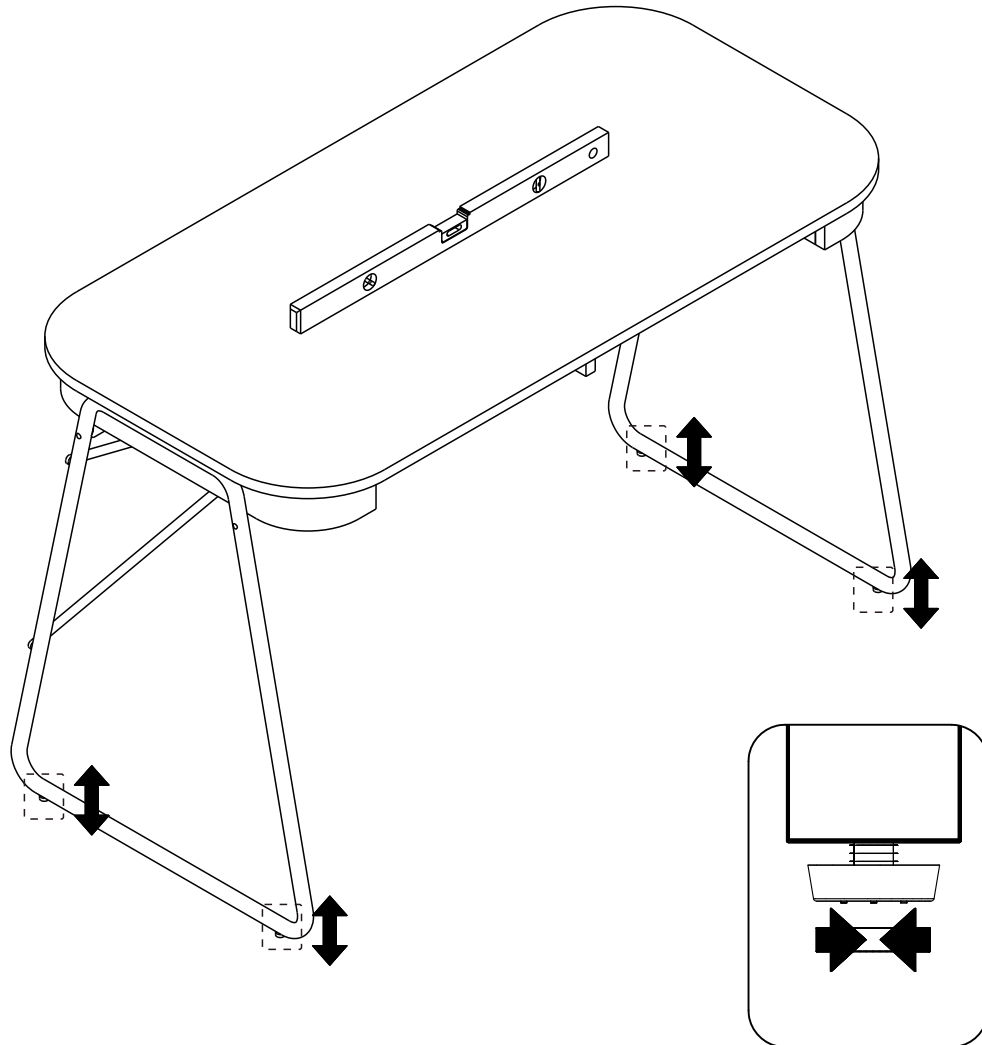
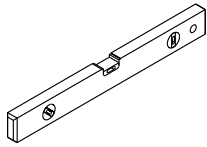
14



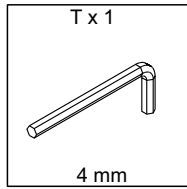
X=Y



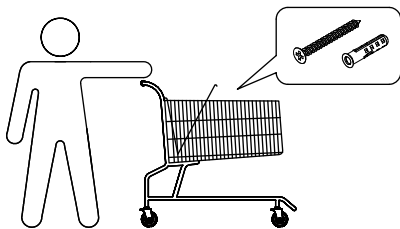
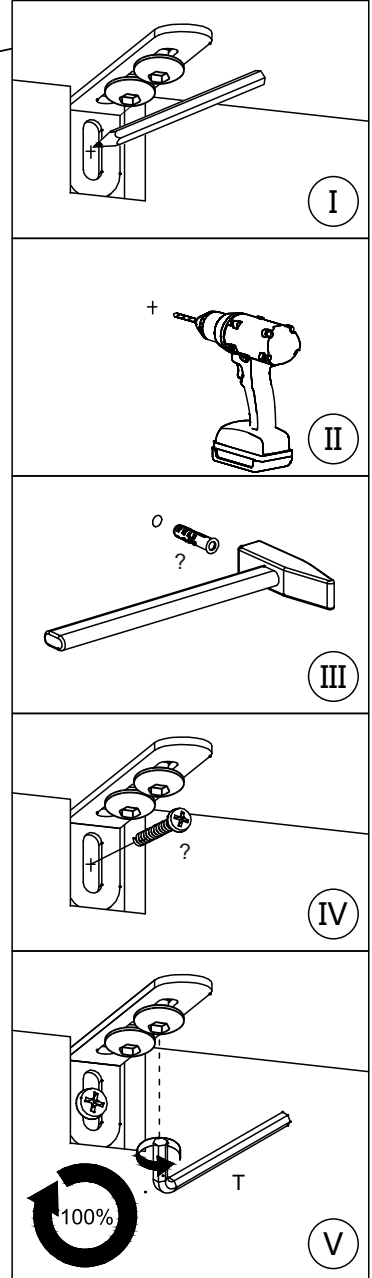
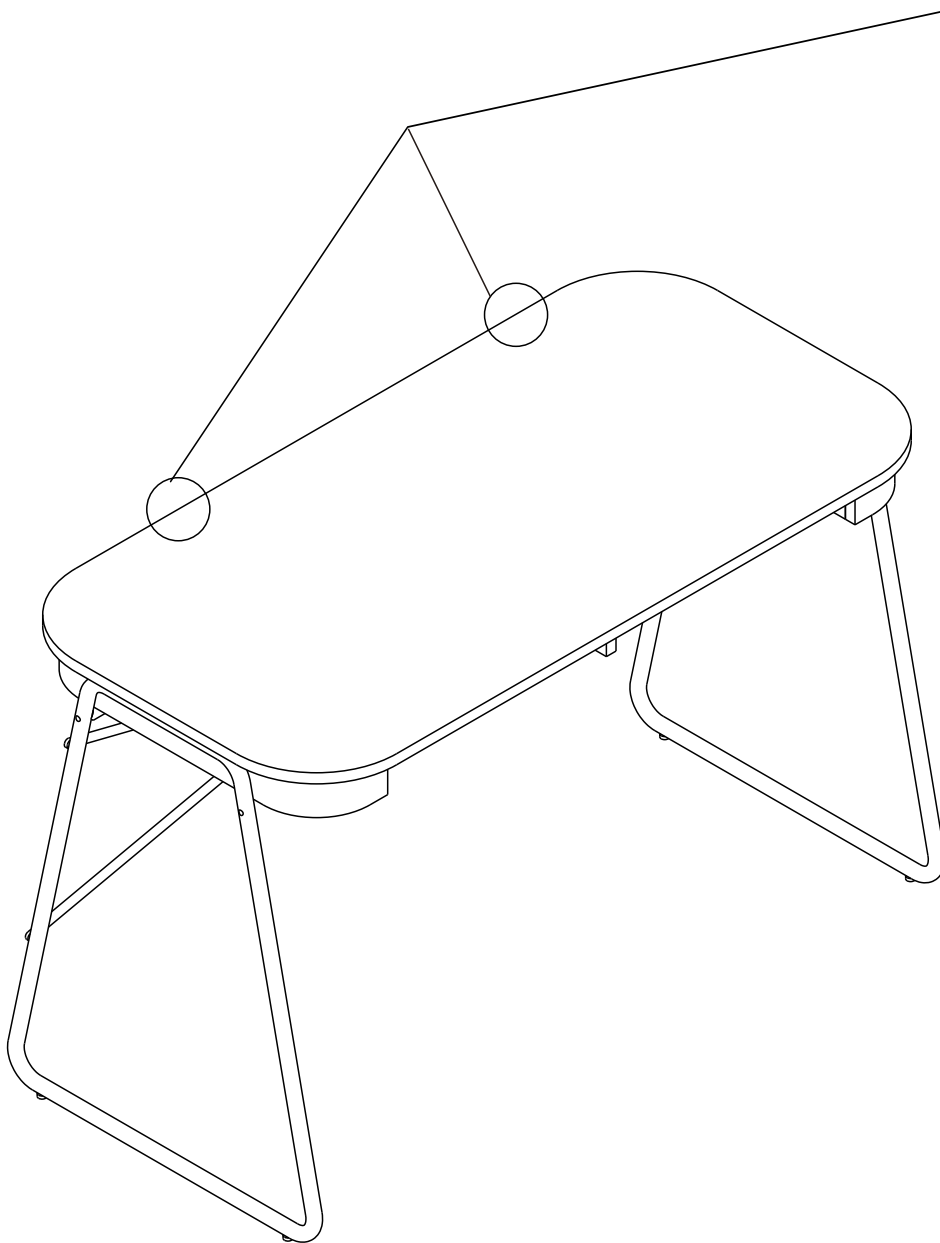
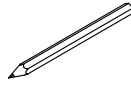
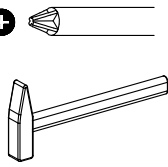
15



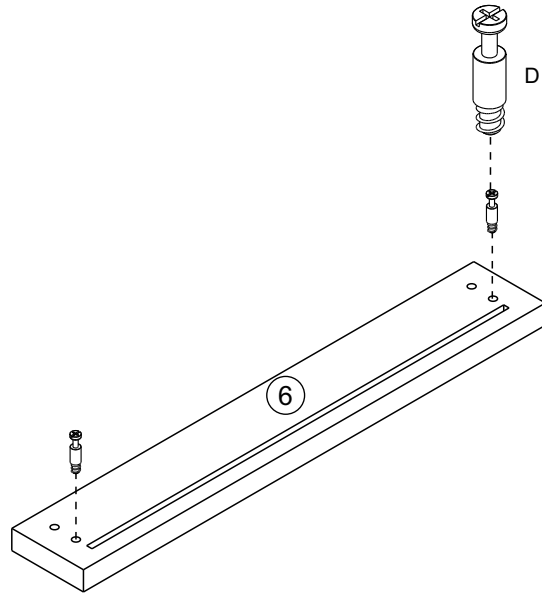
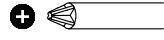
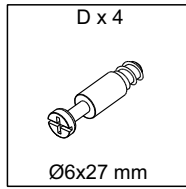
16



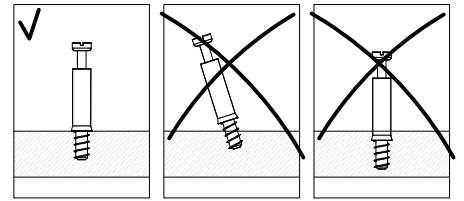
+



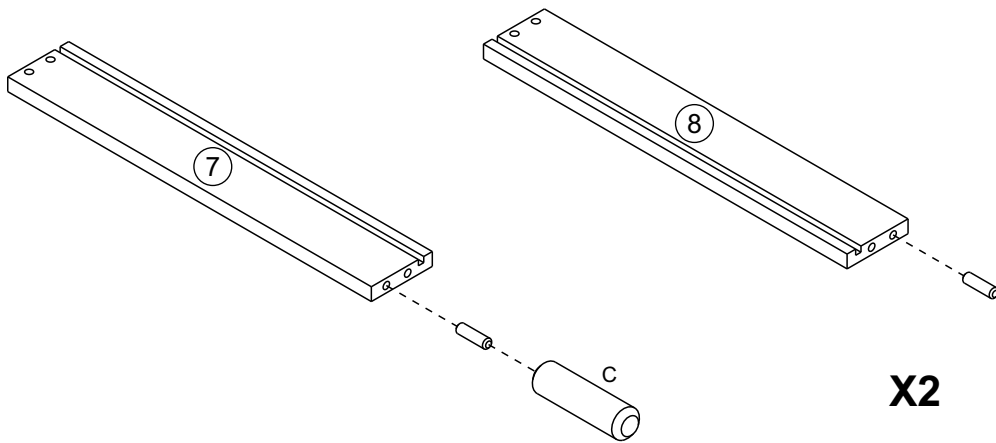
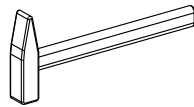
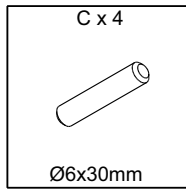
17



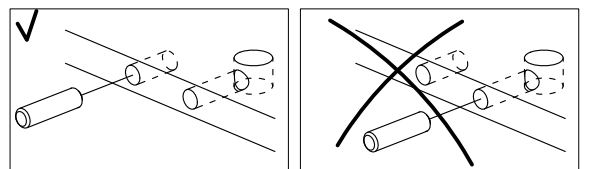
X2



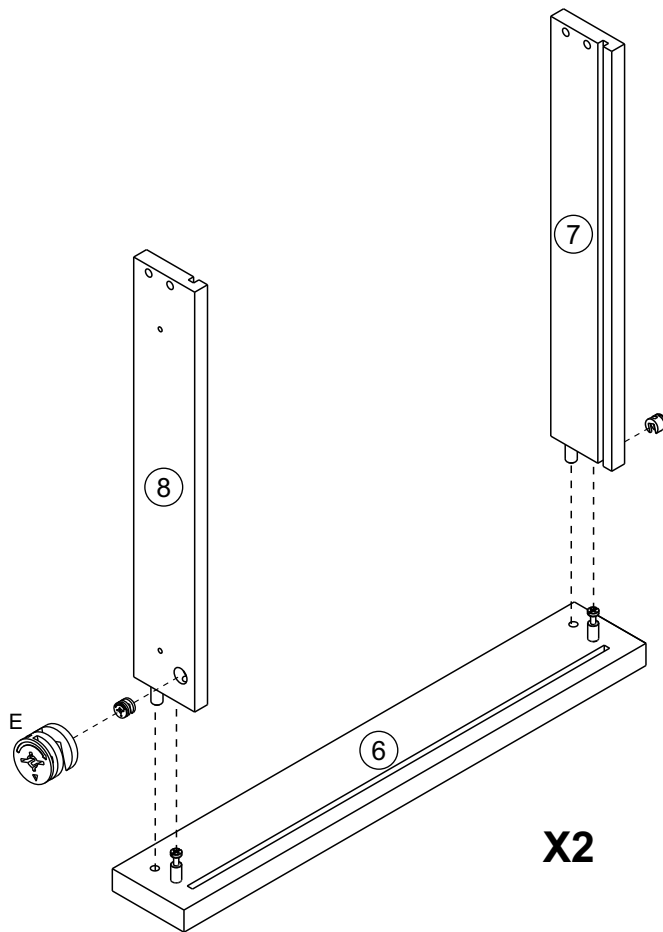
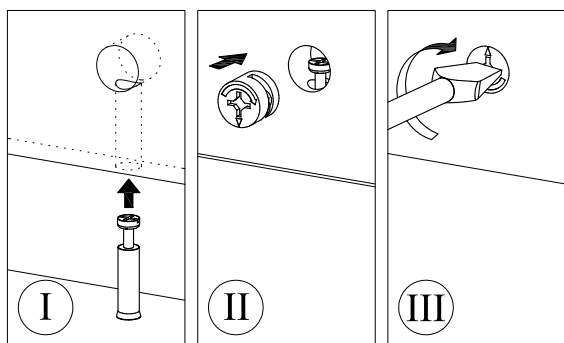
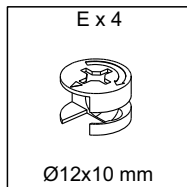
18



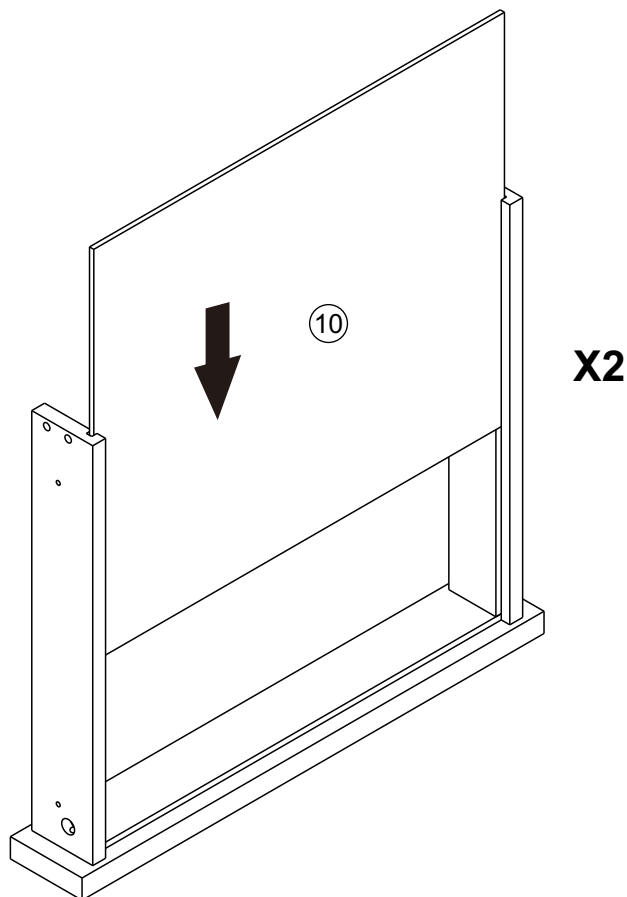
X2



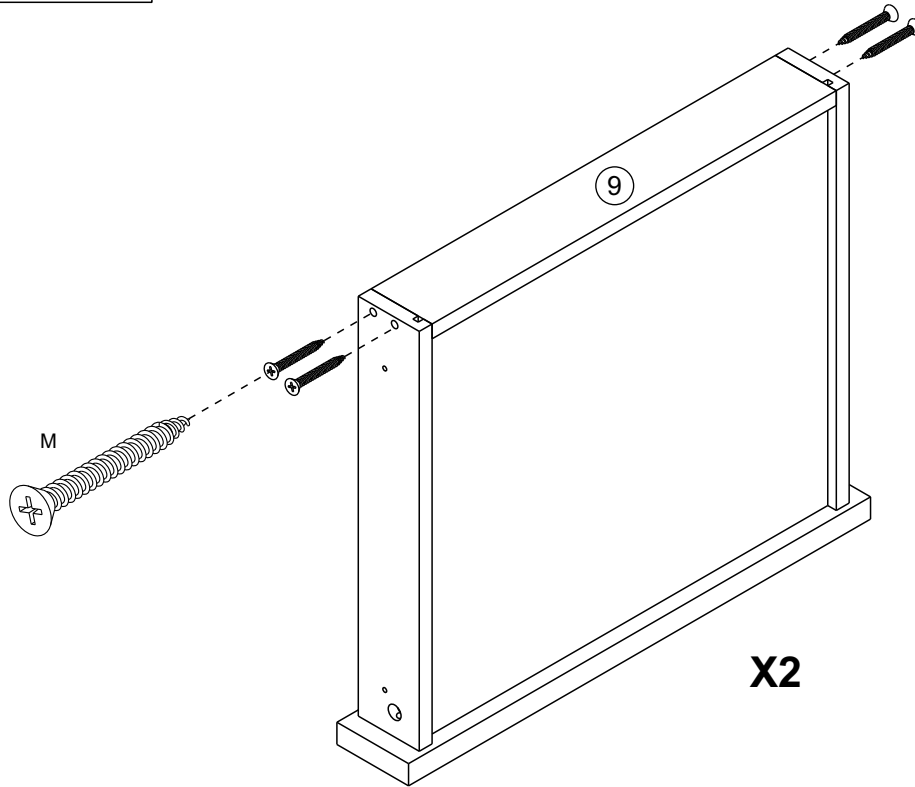
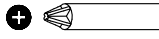
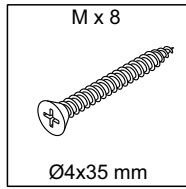
19



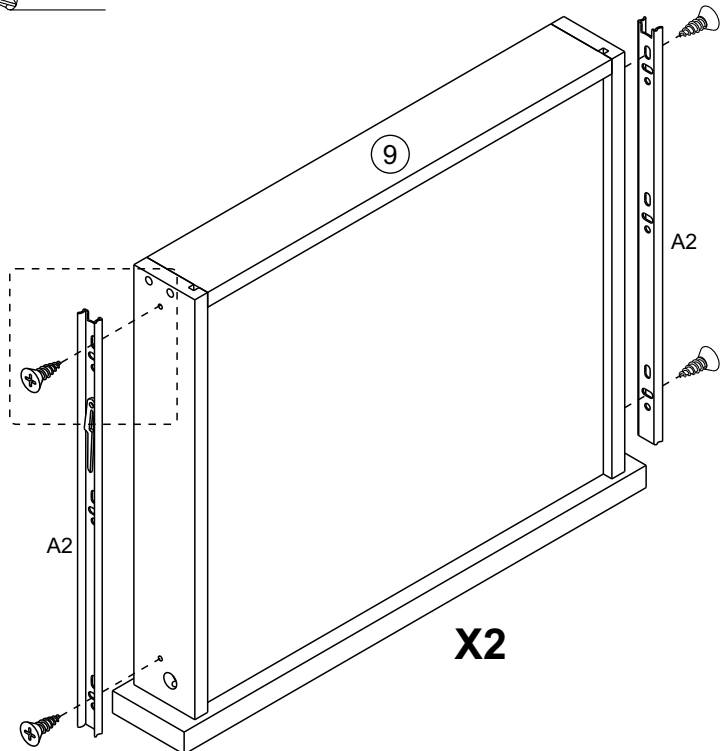
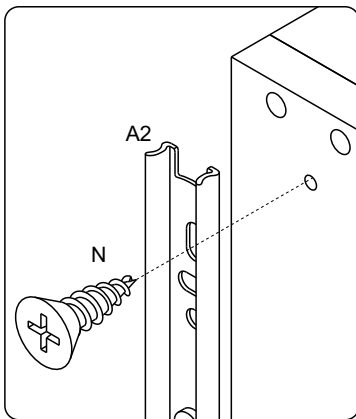
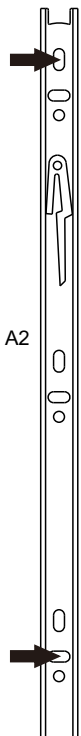
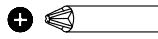
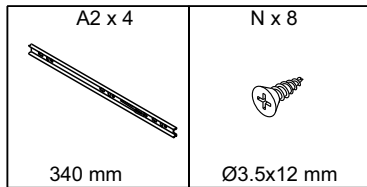
20



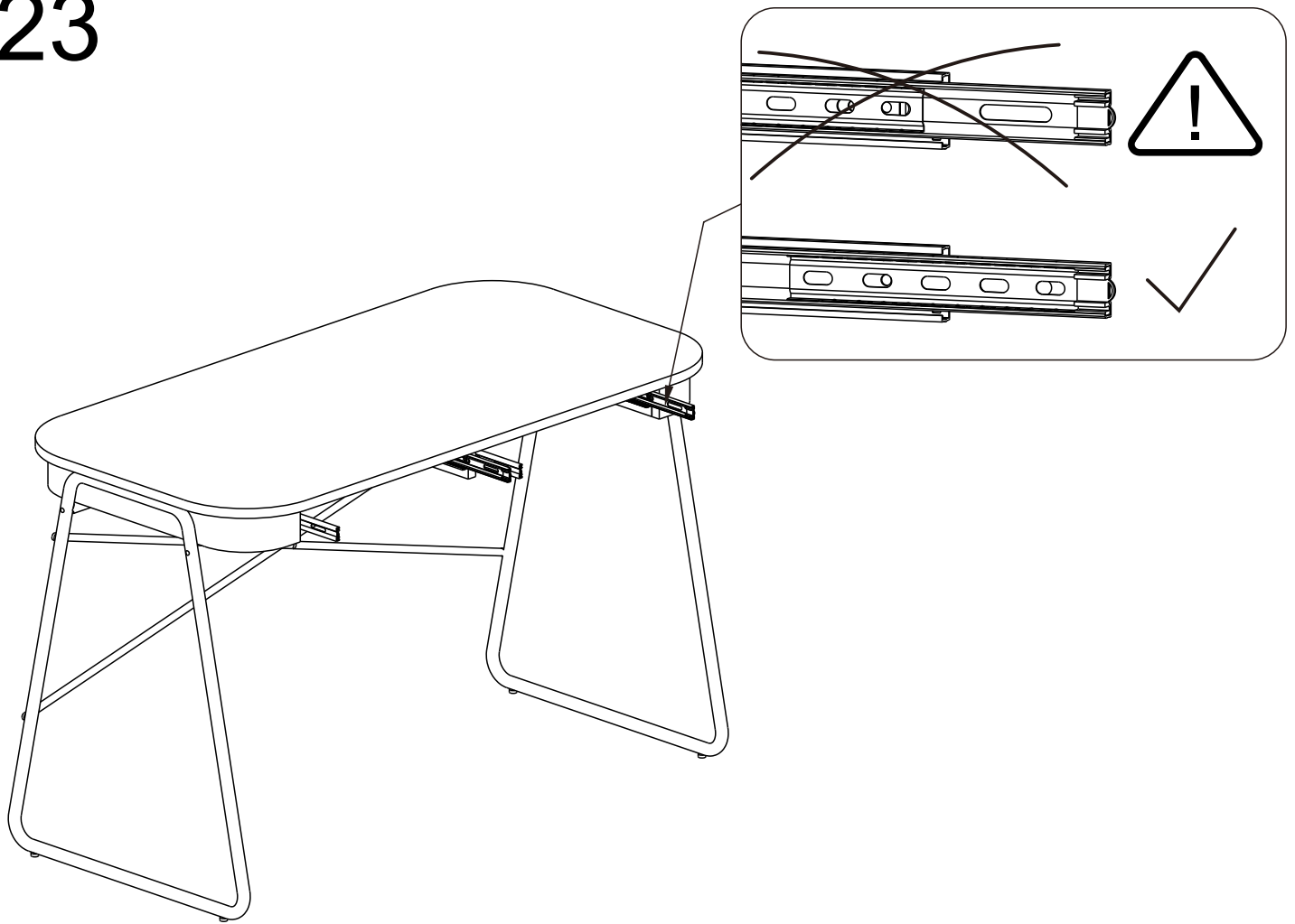
21



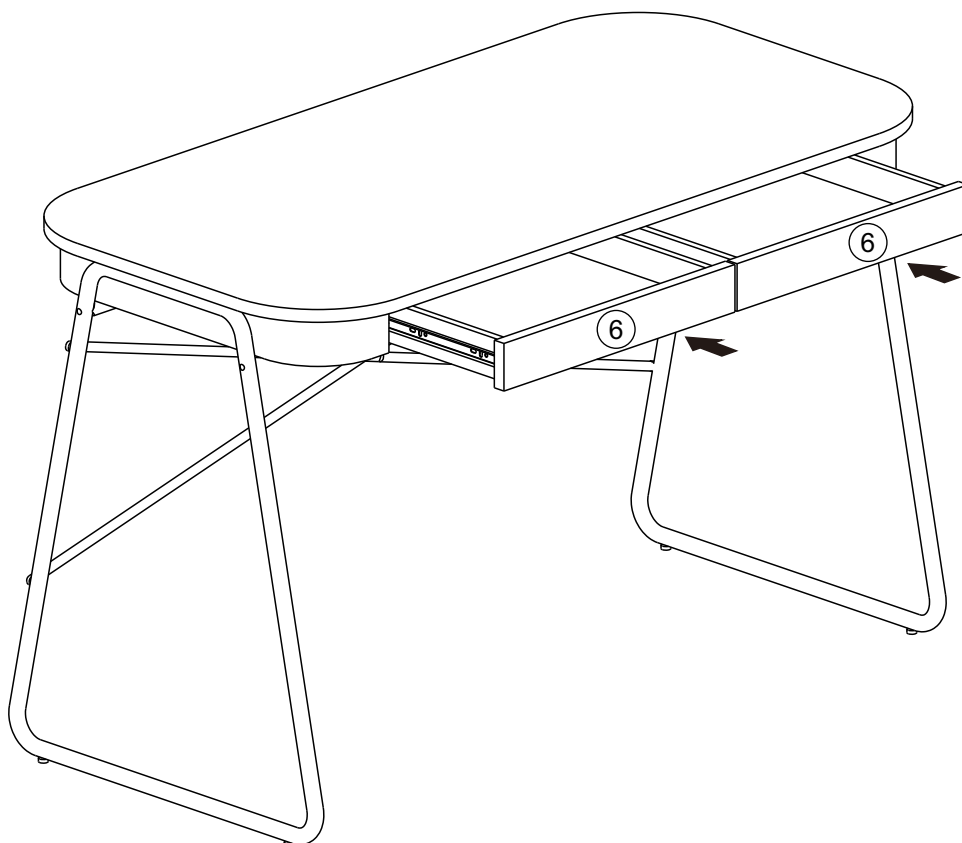
22



23



24



25

