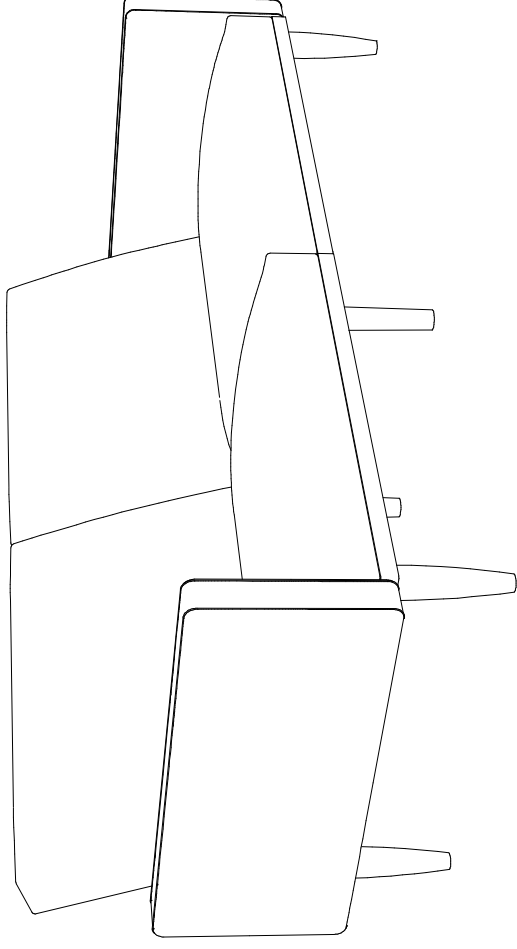


room essentials

linen futon with arms

style # 2126629T (light grey)

dpci # 249-05-0199



Weight limit: 600lbs / 272kgs

>> assembly instructions (B342126629T00 - 25025 - H)



Congratulations on your latest Target purchase.

Now what? Don't start sweating over this box of parts. This will be easy. We did the hardkwork for you. All you need to do is follow our simple instructions and you'll be on your way to transforming your room in no time. Good luck--though we're confident you won't need it.

before you begin

1. Check for damaged or missing parts. Call **1-855-MYTGTHOME** (855-698-4846) to order missing supplies.
2. Use the carton as a working surface to prevent product damage during assembly.
3. Gather all tools prior to assembly.

table of contents

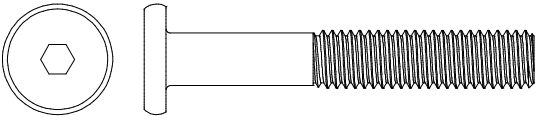
.....

introduction	2
hardware	4
parts list	5
assembly	6 - 11

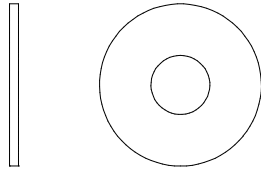
hardware

Hardware Pack# T2126429T-00

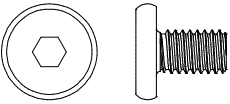
(H1) X 10
M8 bolt



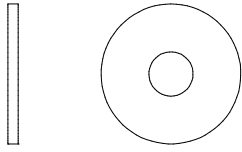
(H2) X 10
M8 Washer



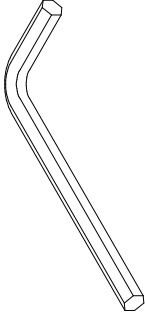
(H3) X 8
M6 bolt



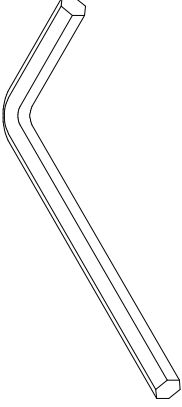
(H4) X 8
M6 Washer



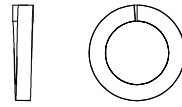
(H5) X 1
4mm Allen key



(H6) X 1
5mm Allen key



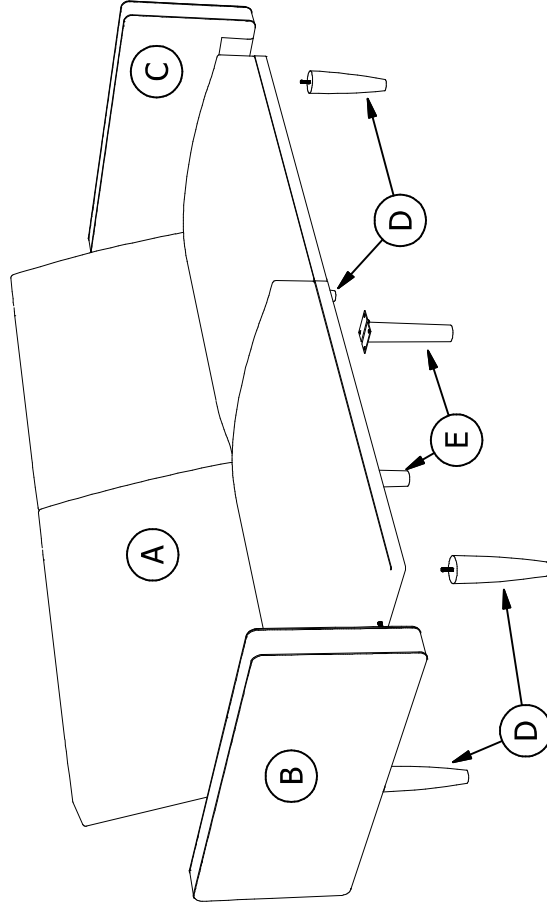
(H7) X 10
M8 Spring Washer



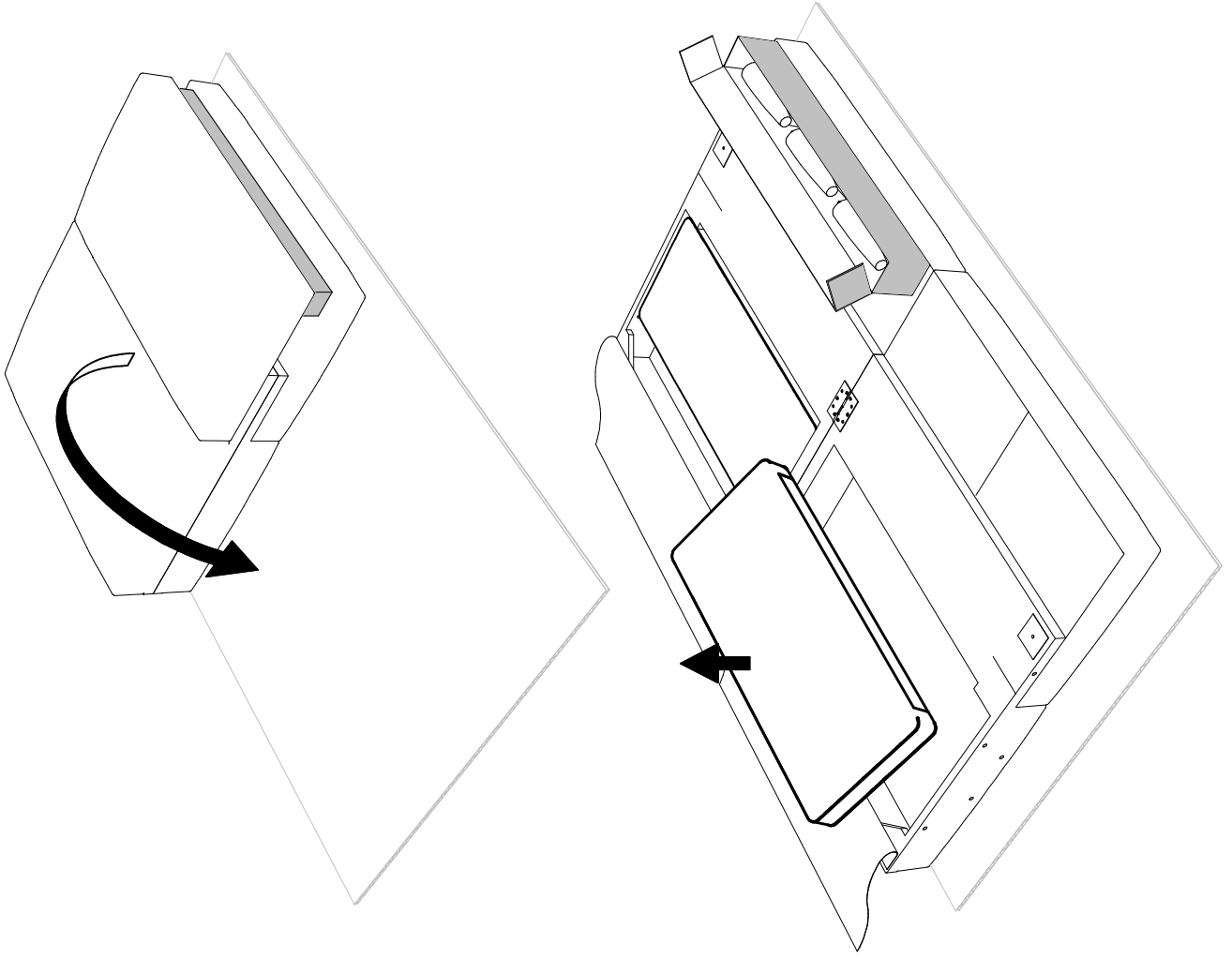
ITEM DESCRIPTION PART# QUANTITY

.....

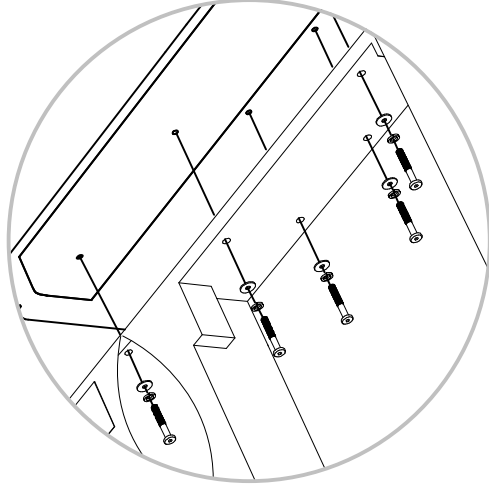
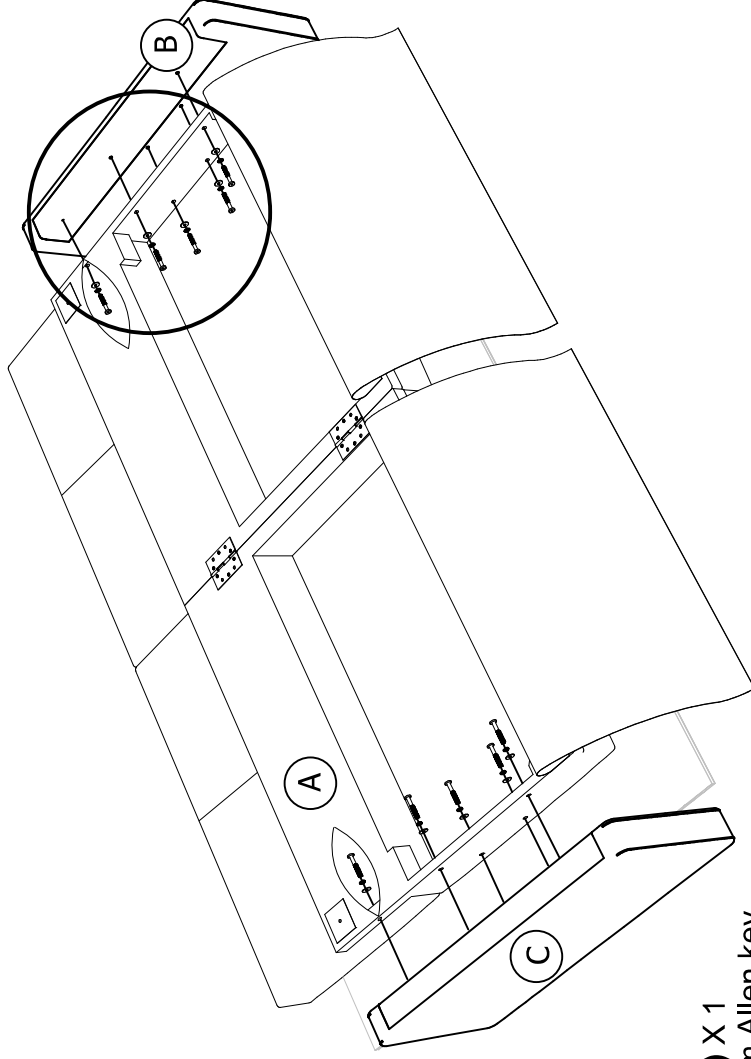
A	seat		1
B	left arm	T621030	1
C	right arm	T621040	1
D	corner leg	T619460	4
E	middle leg	T619470	2



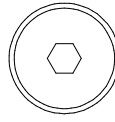
step 1



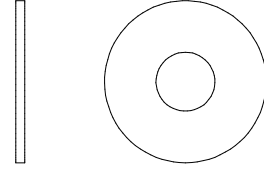
step 2



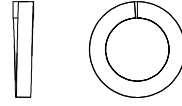
(H1) X 10
M8 bolt



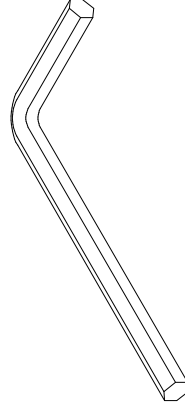
(H2) X 10
M8 Washer



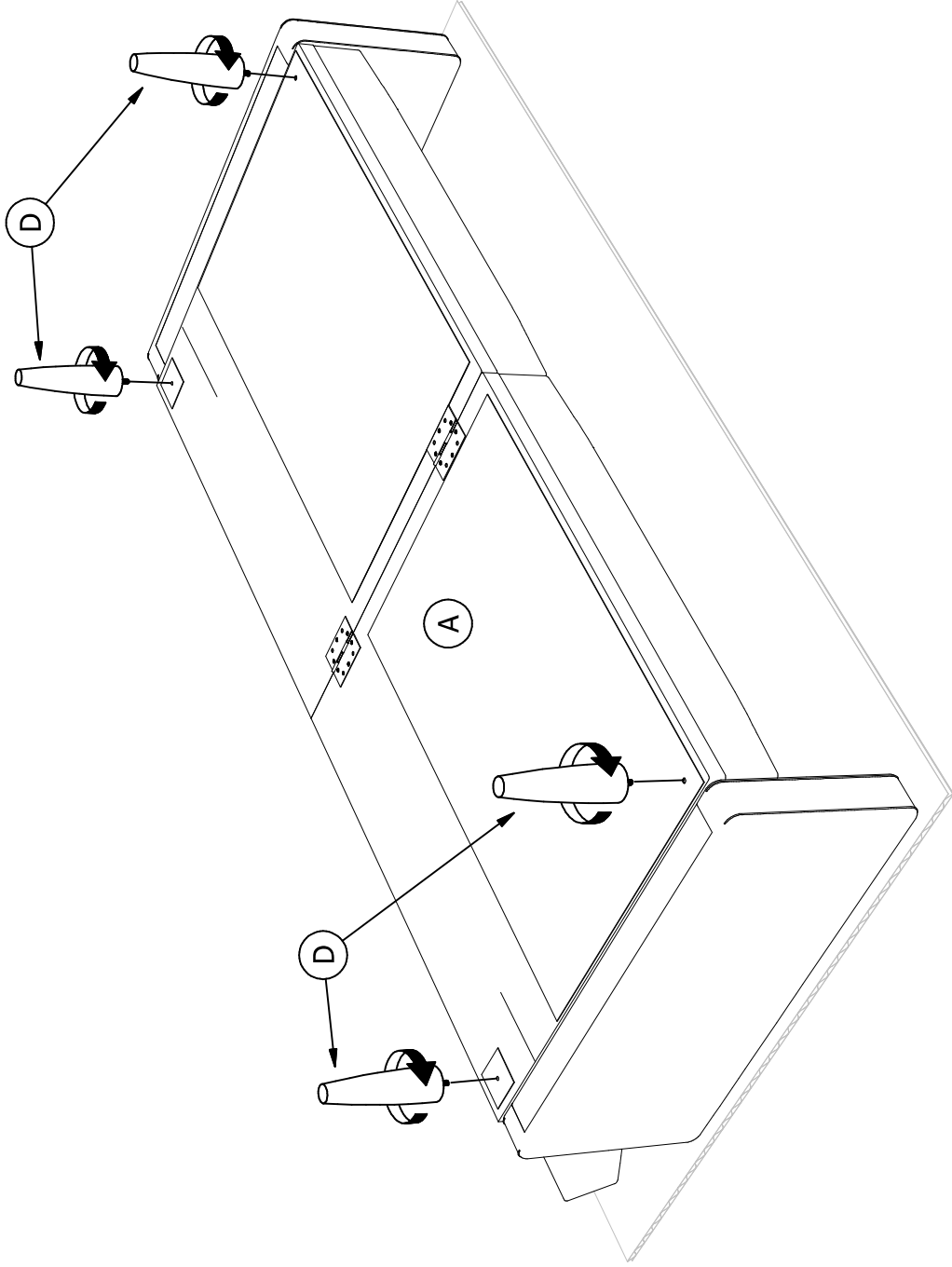
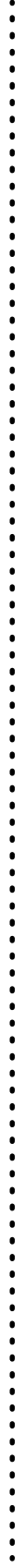
(H7) X 10
M8 Spring Washer



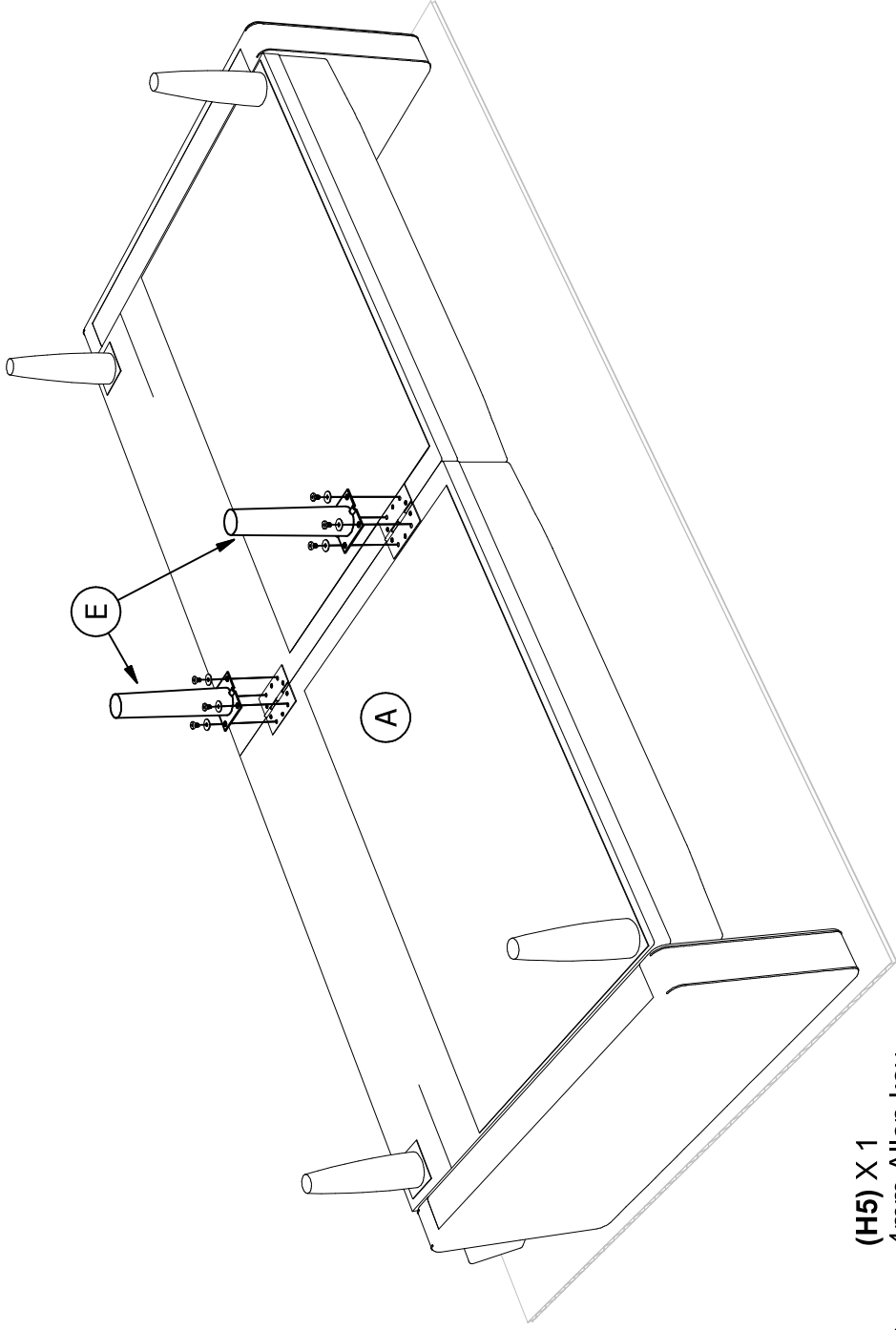
(H6) X 1
5mm Allen key



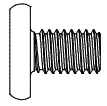
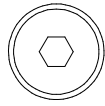
step 3



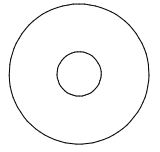
step 4



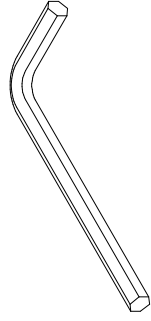
(H3) X 8
M6 bolt



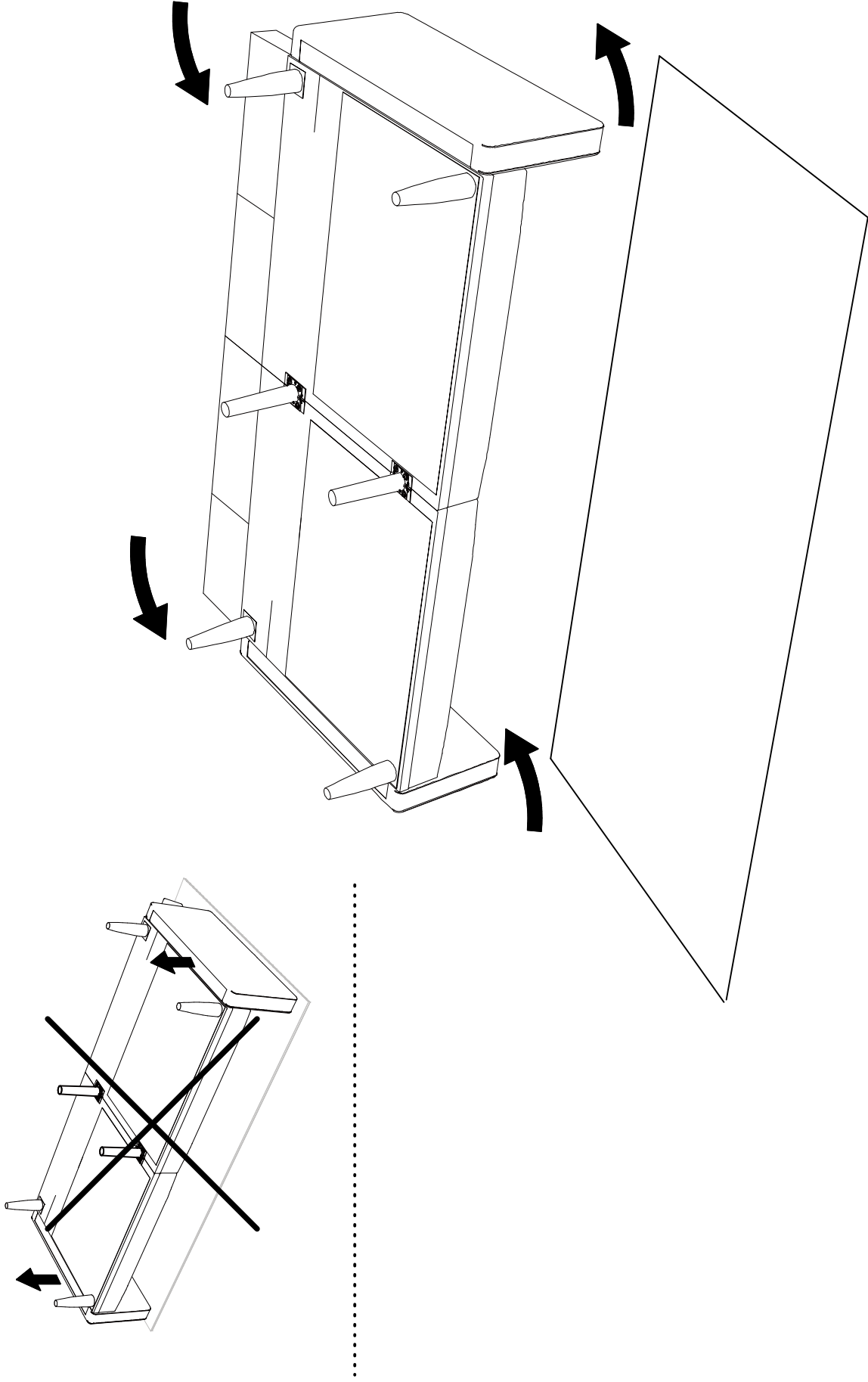
(H4) X 8
M6 Washer



(H5) X 1
4mm Allen key



step 5



Do NOT lift to relocate your futon when it is in upside down position.
Please rotate the futon in the air with at least 2 person as illustrated before move it to the final location as your choice.

step 6

