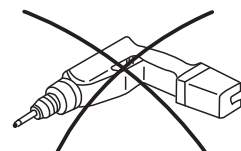
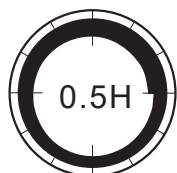
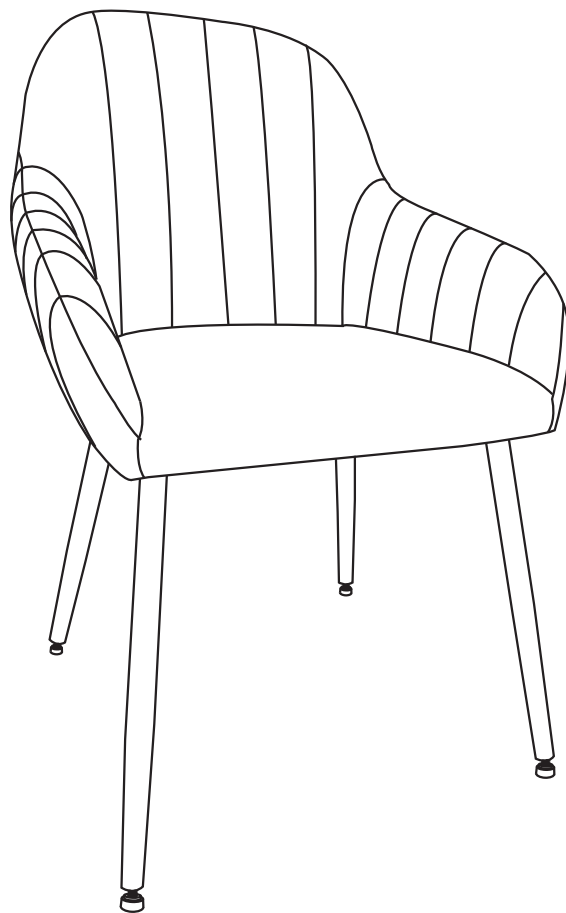
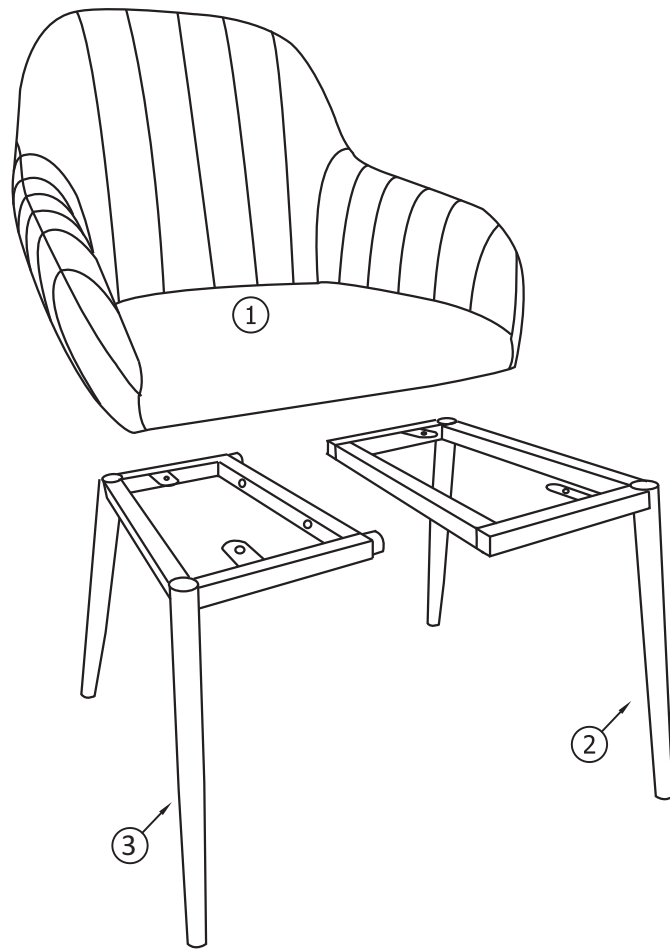
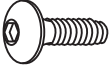
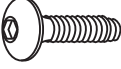






TRUDY

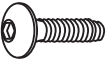



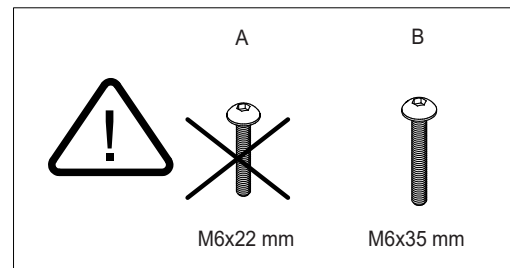
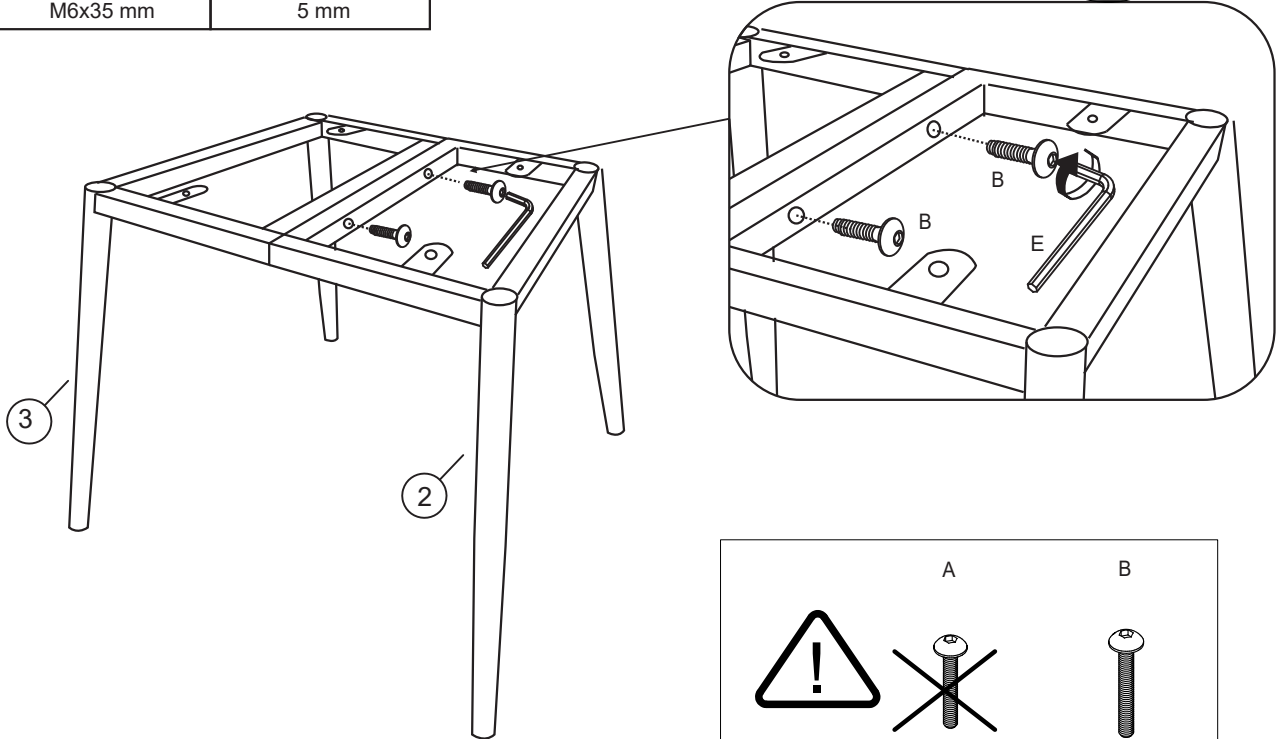
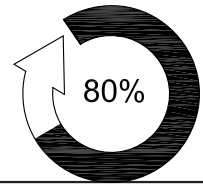
			✓
①	1	575x585x465	
②	1	490x210x390	
③	1	490x230x390	



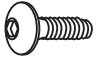




<p>Ax4</p>  <p>M6x22 mm</p>	<p>Bx2</p>  <p>M6x35 mm</p>	<p>Cx4</p>  <p>Ø6/Ø16 mm</p>	<p>Dx4</p>  <p>Ø6/Ø10 mm</p>	<p>Ex1</p>  <p>5 mm</p>
<p>Fx4</p>  <p>Ø22 mm</p>				

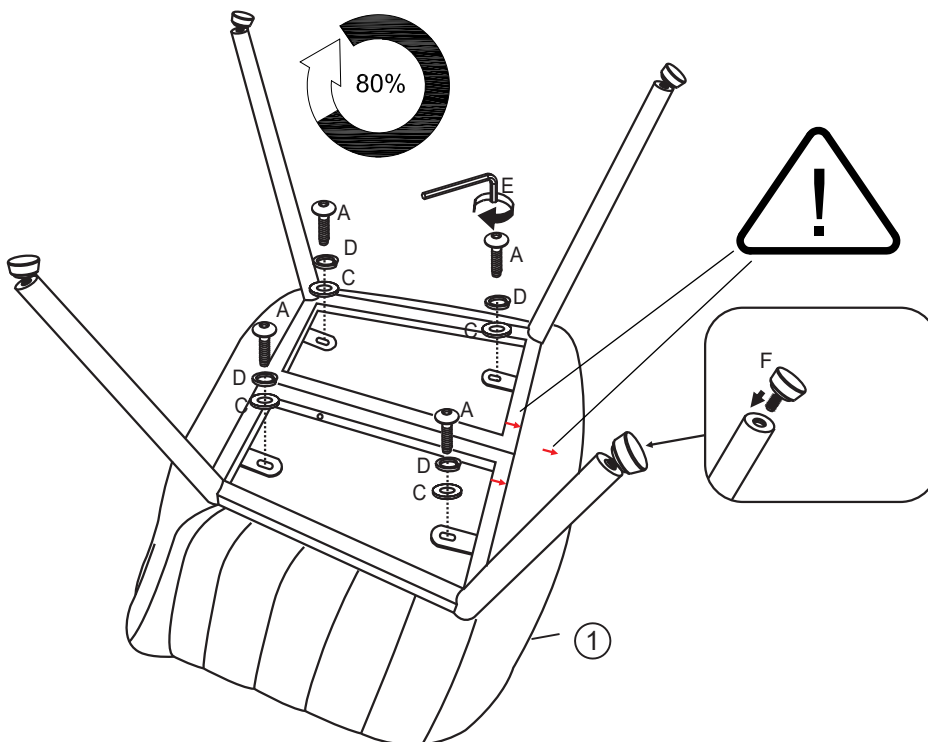
1

Bx2  M6x35 mm	Ex1  5 mm
--	--

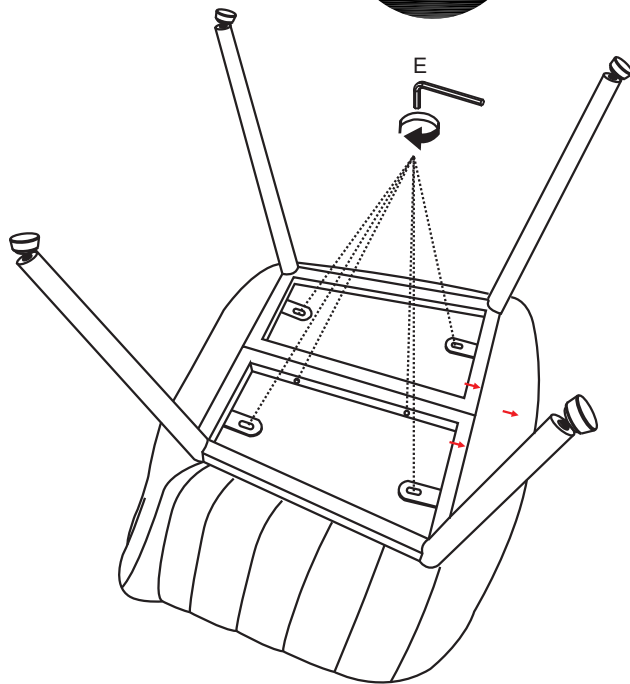
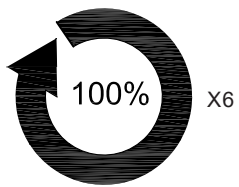
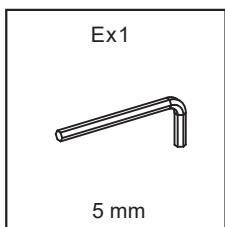


2

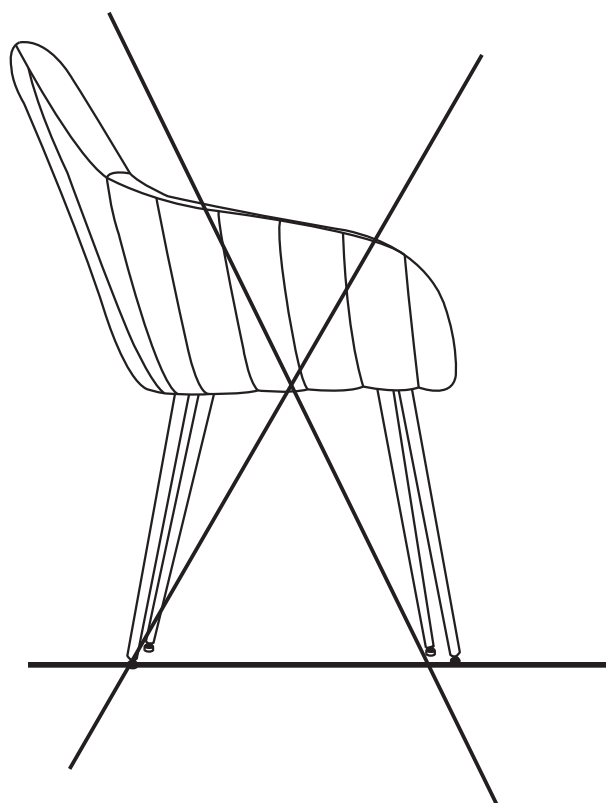
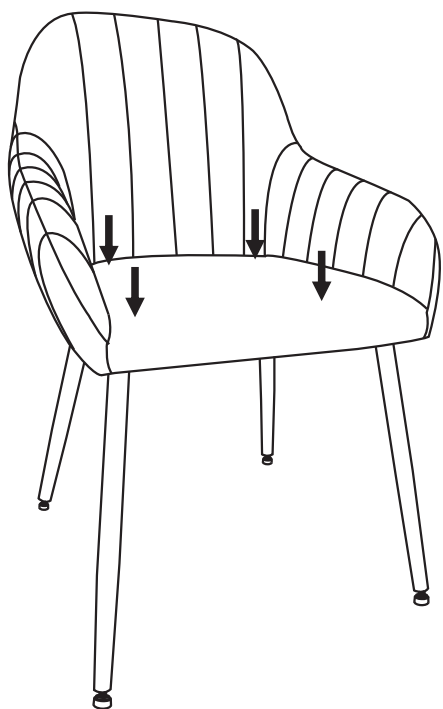
Ax4  M6x22 mm	Cx4  Ø6/Ø16 mm	Dx4  Ø6/Ø10 mm	Ex1  5 mm	Fx4  Ø22 mm
--	---	---	---	--



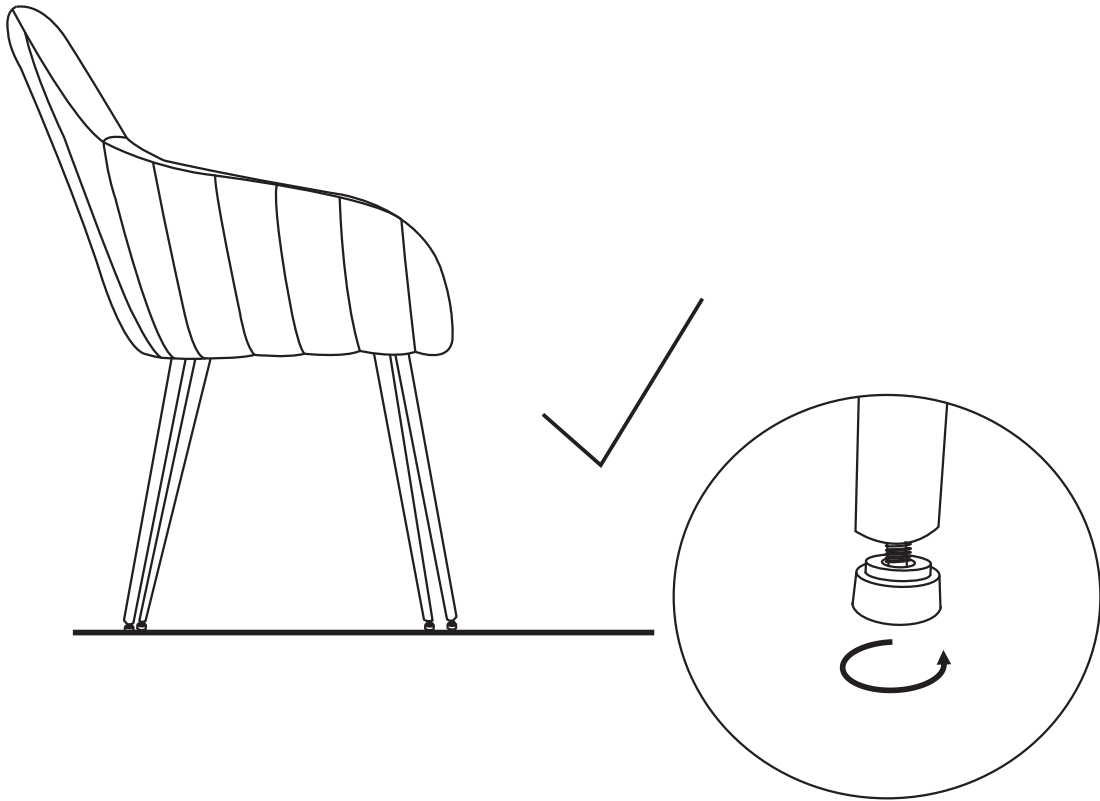
3



4



5



6

