
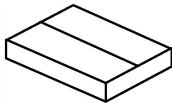
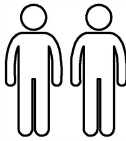

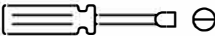
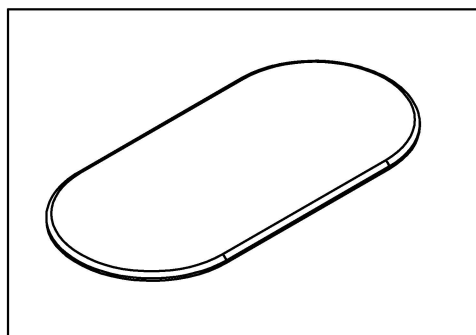
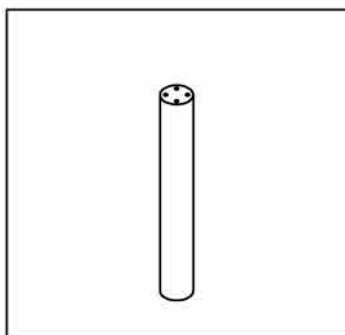


**Kave® Cares**

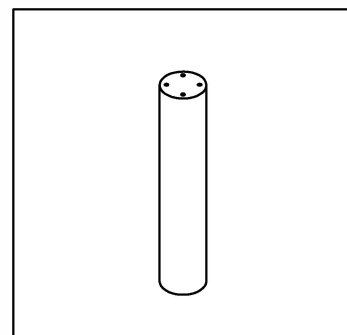
				
45 min	x2	x2	x1	x1



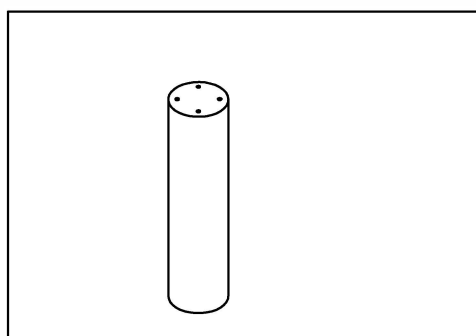
**A** x1



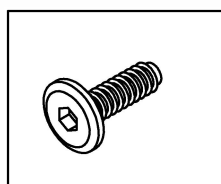
**B** x2



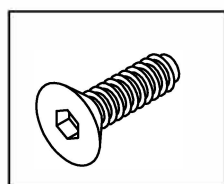
**C** x2



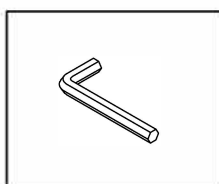
**D** x2



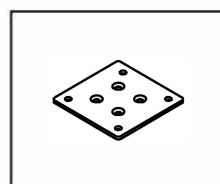
**E** x24  
M8x25mm



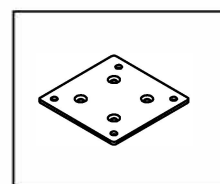
**F** x24  
ø8 X 25mm



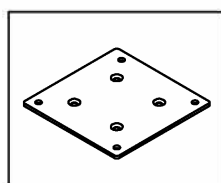
**G** x1  
5mm



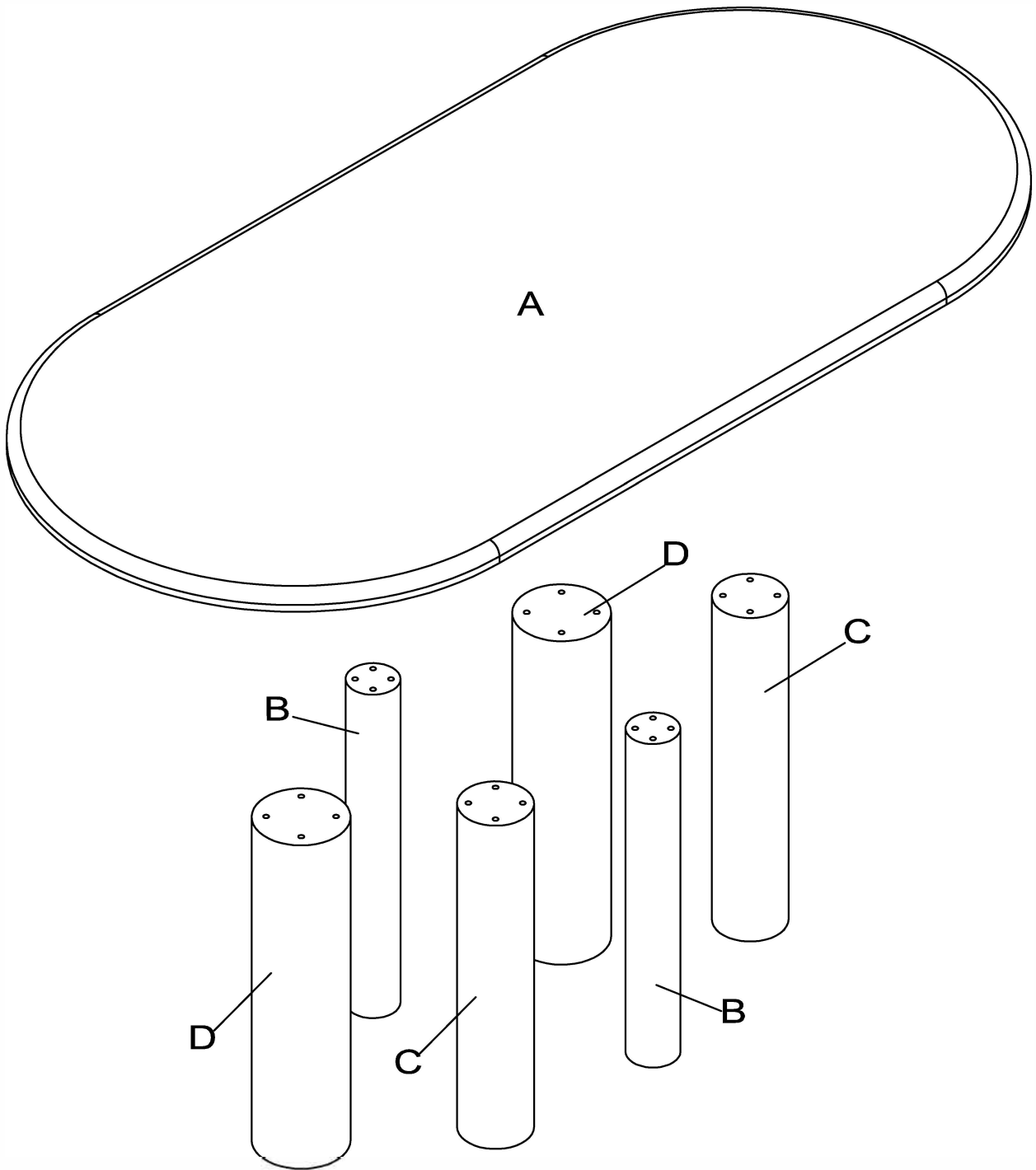
**H** x2  
140x140\*5mm



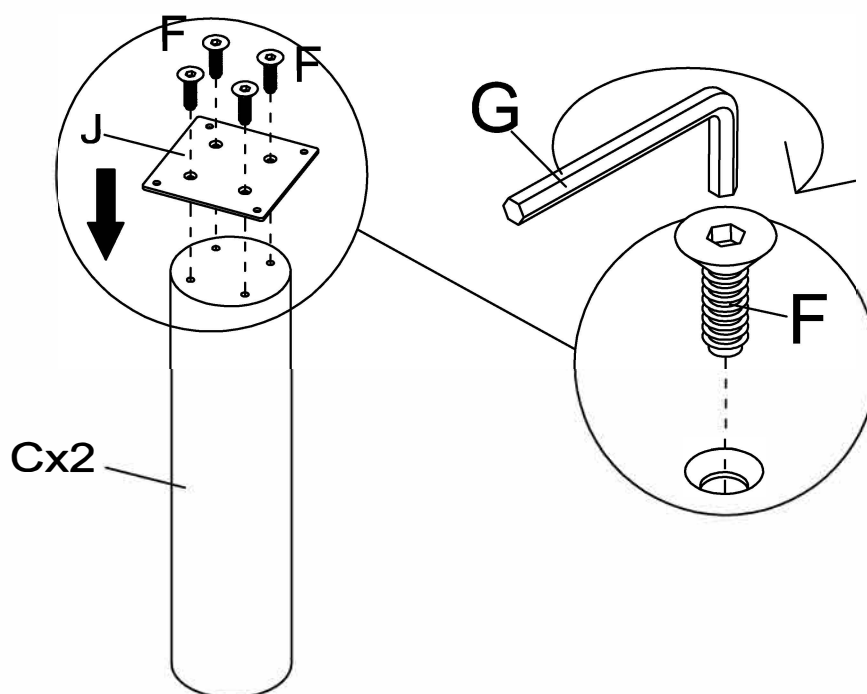
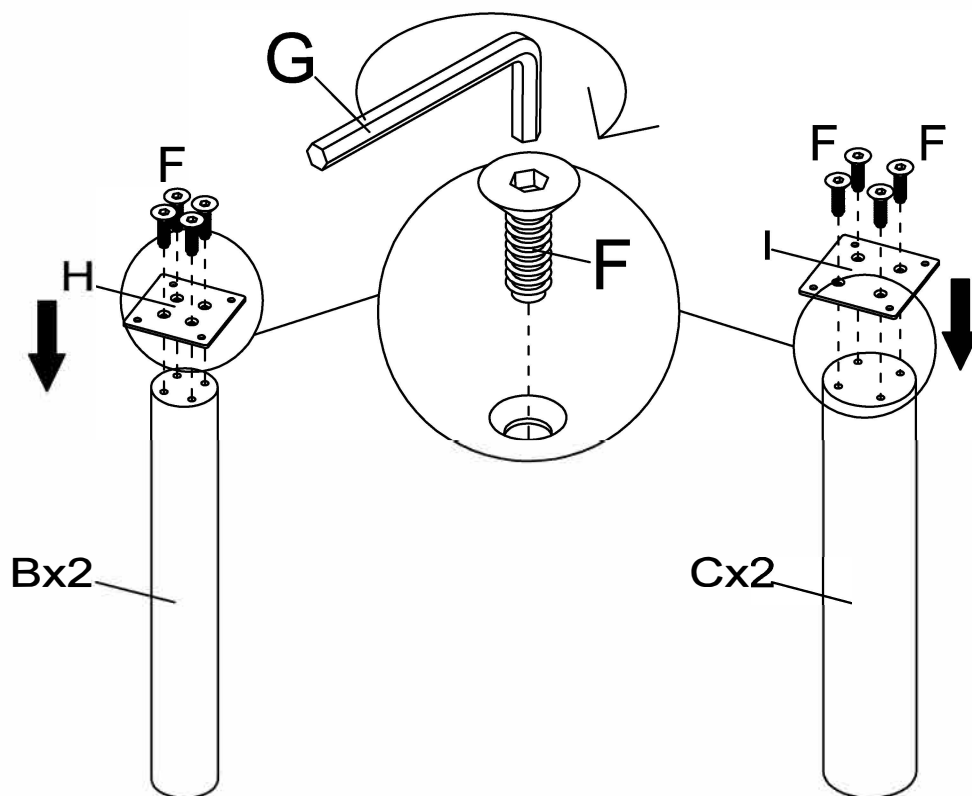
**I** x2  
160x160\*5mm



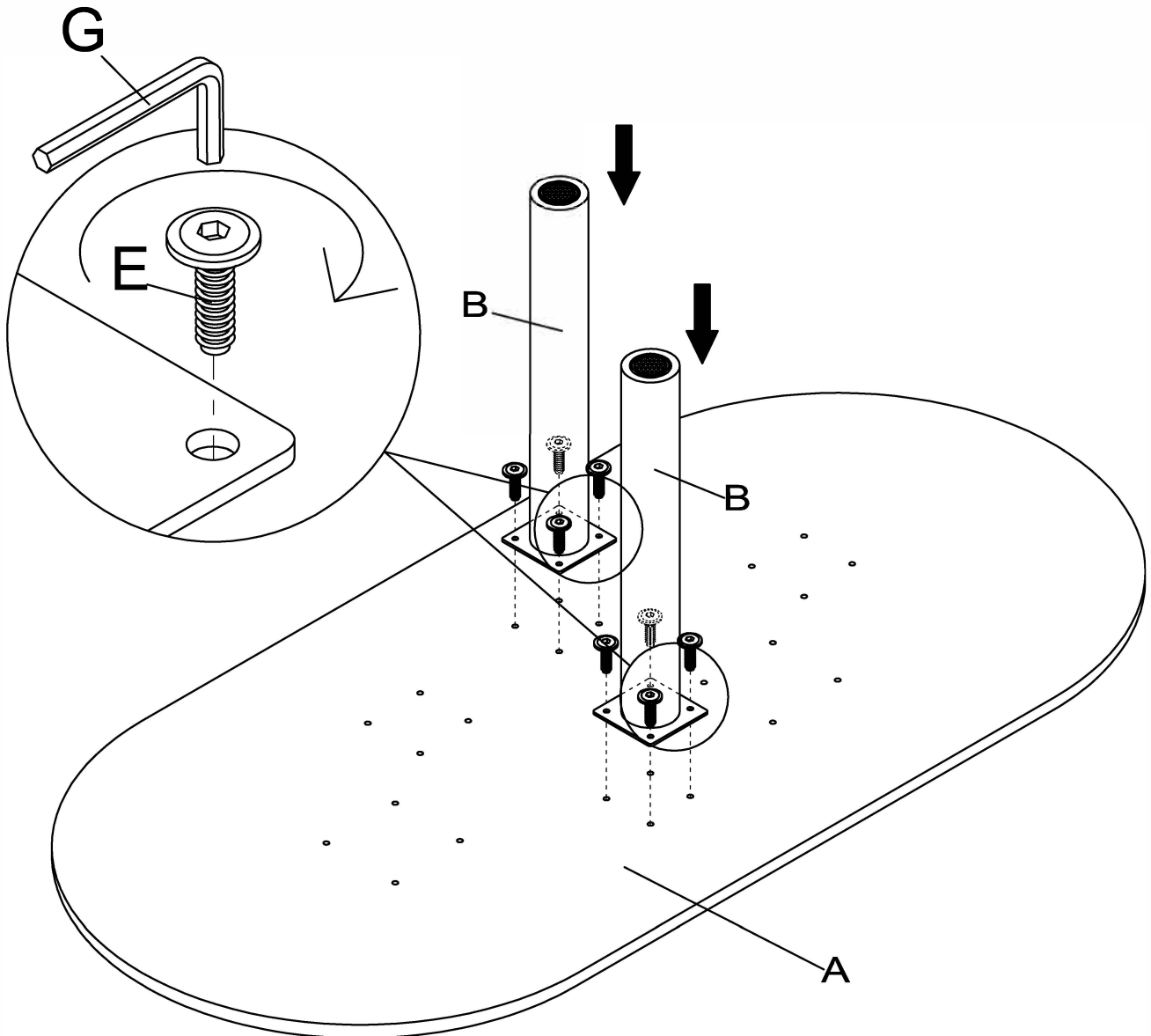
**J** x2  
200x200\*5mm



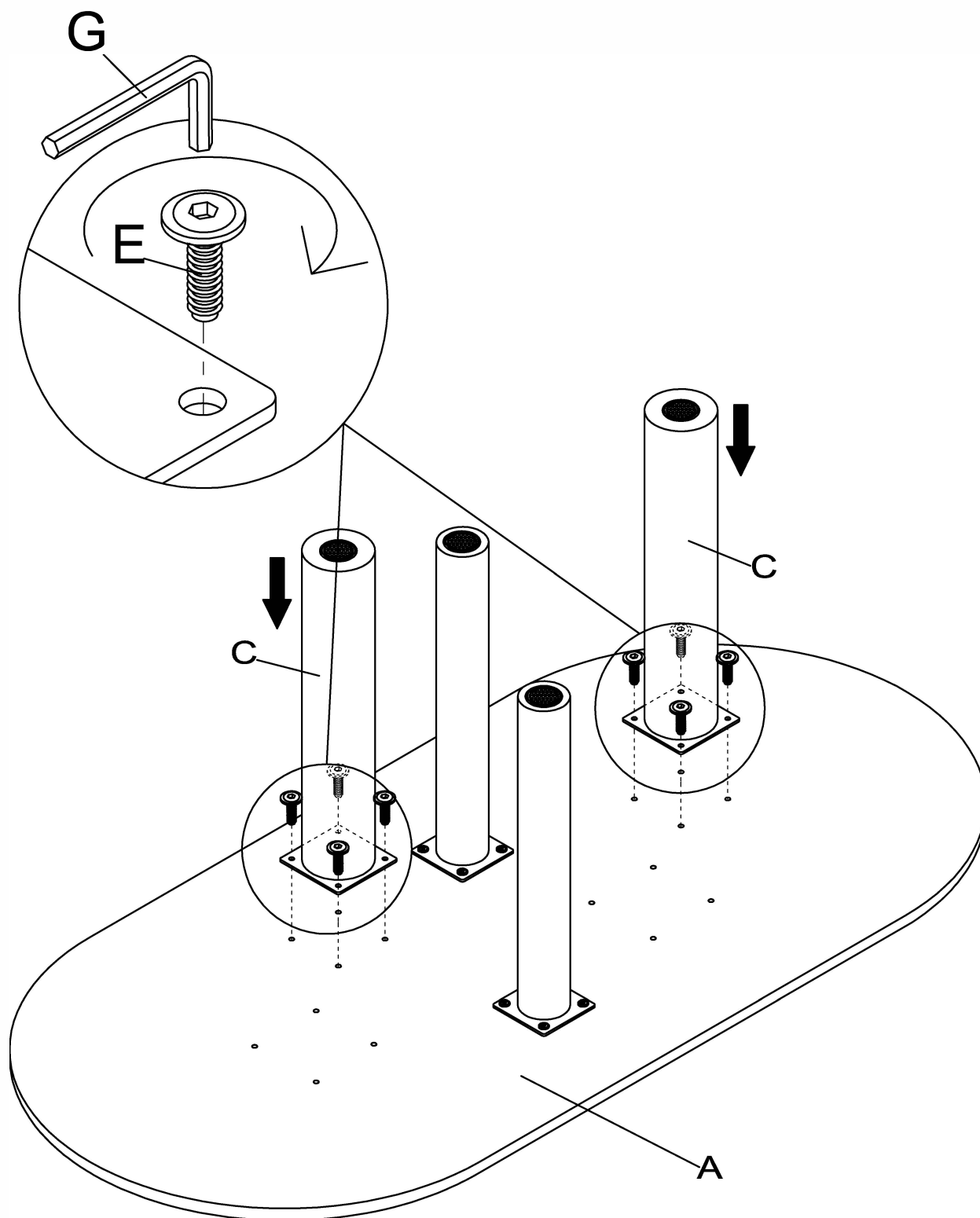
1



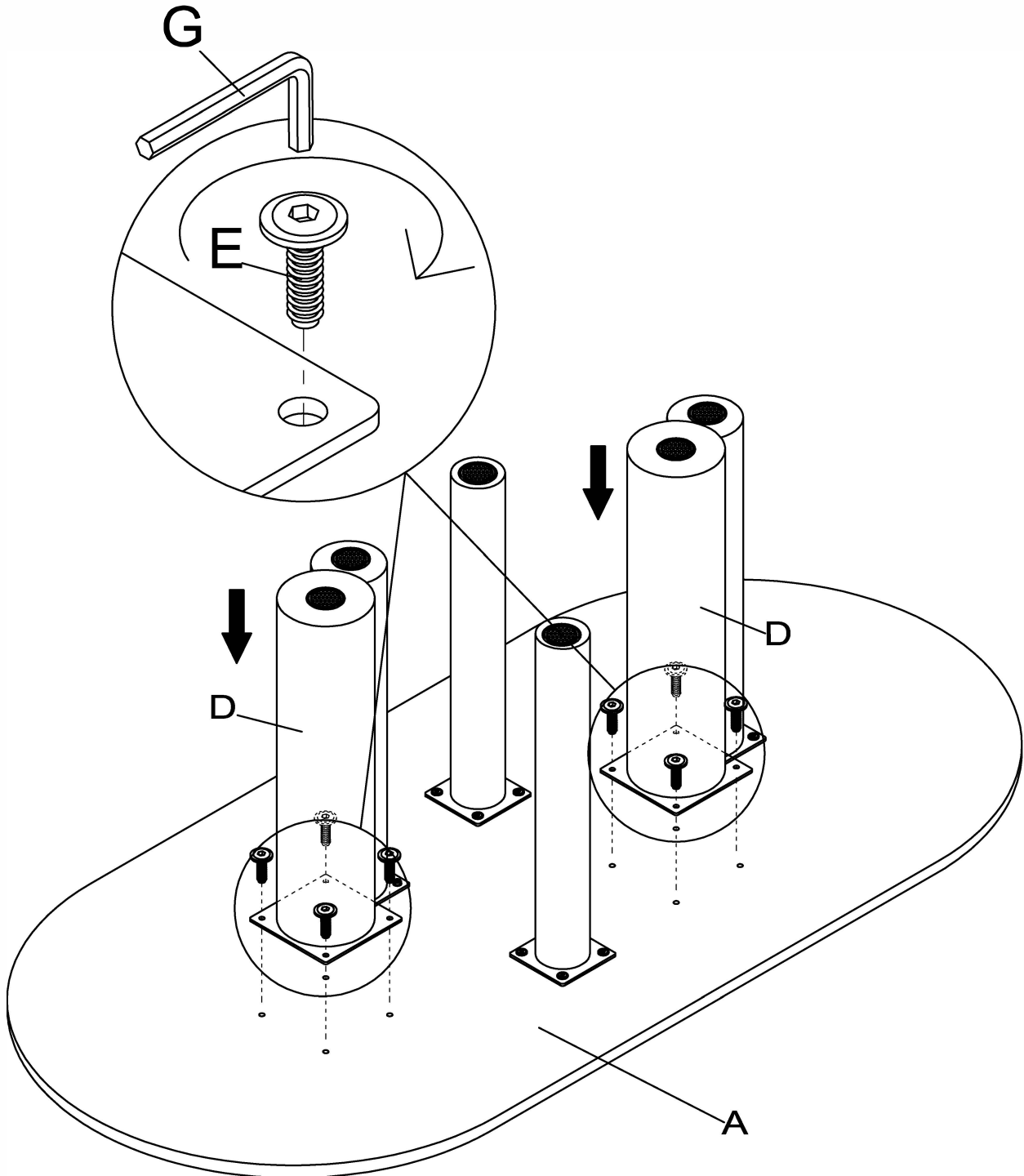
2



3

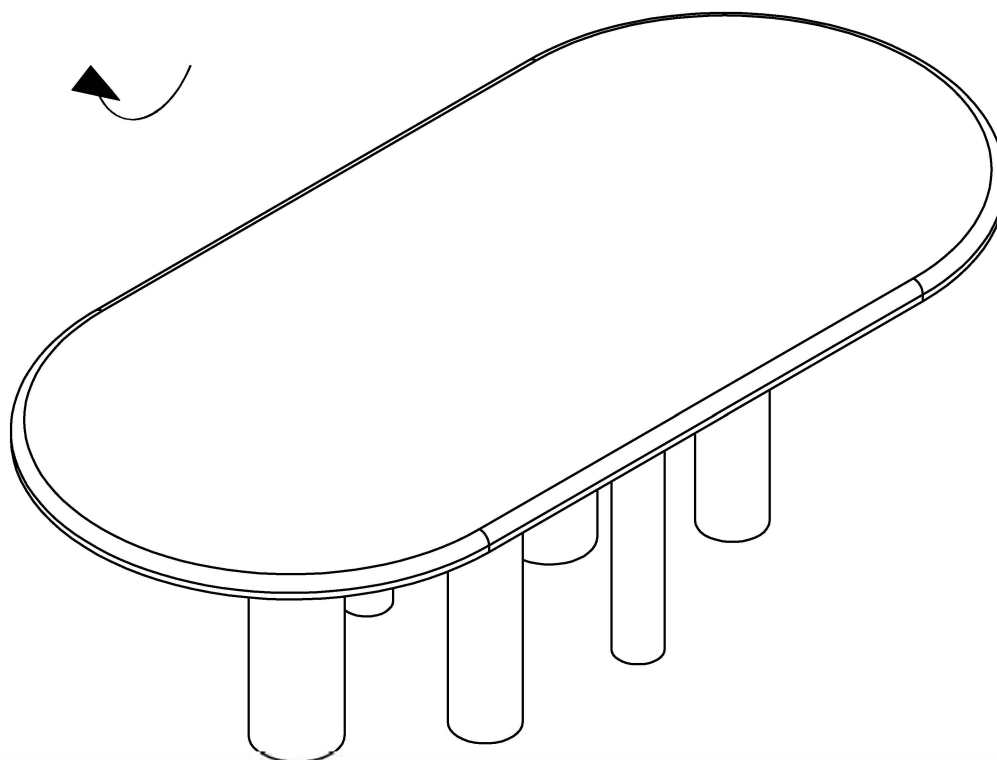
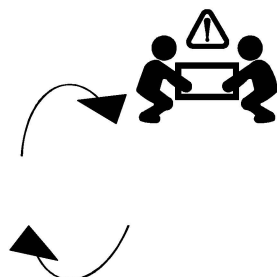
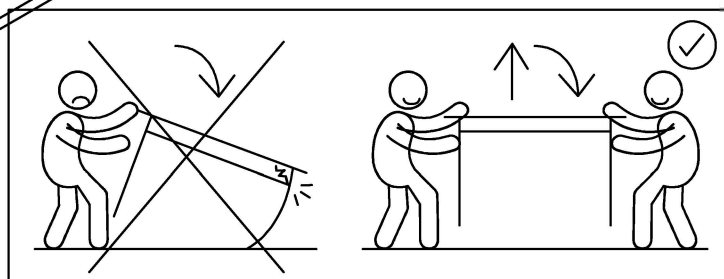
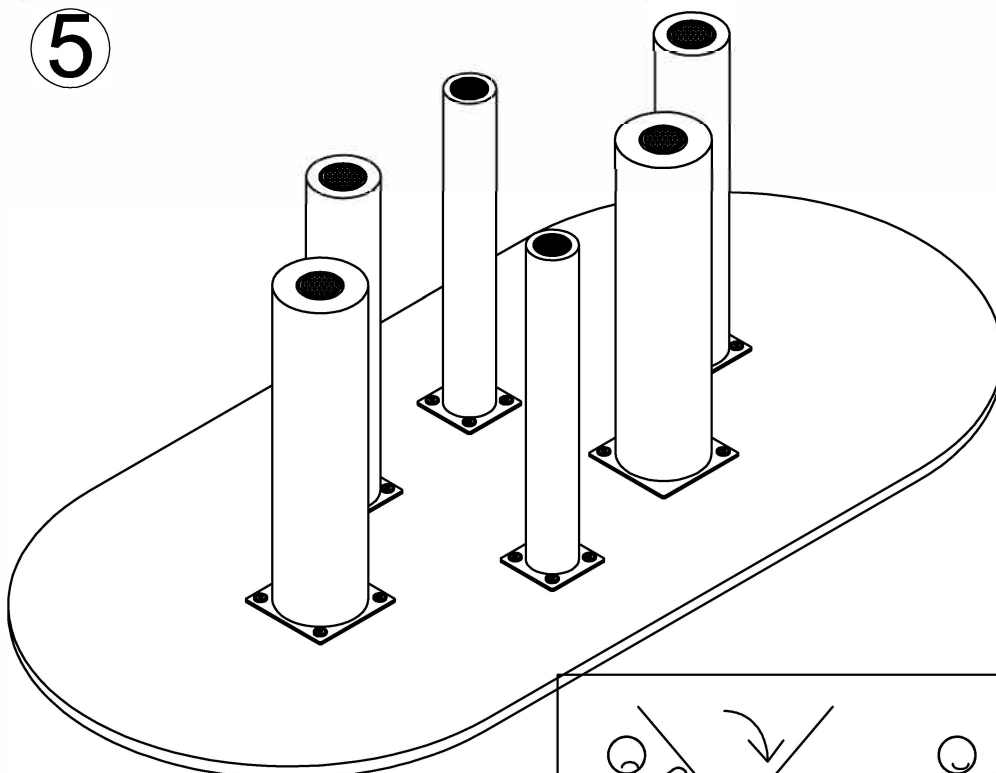


4

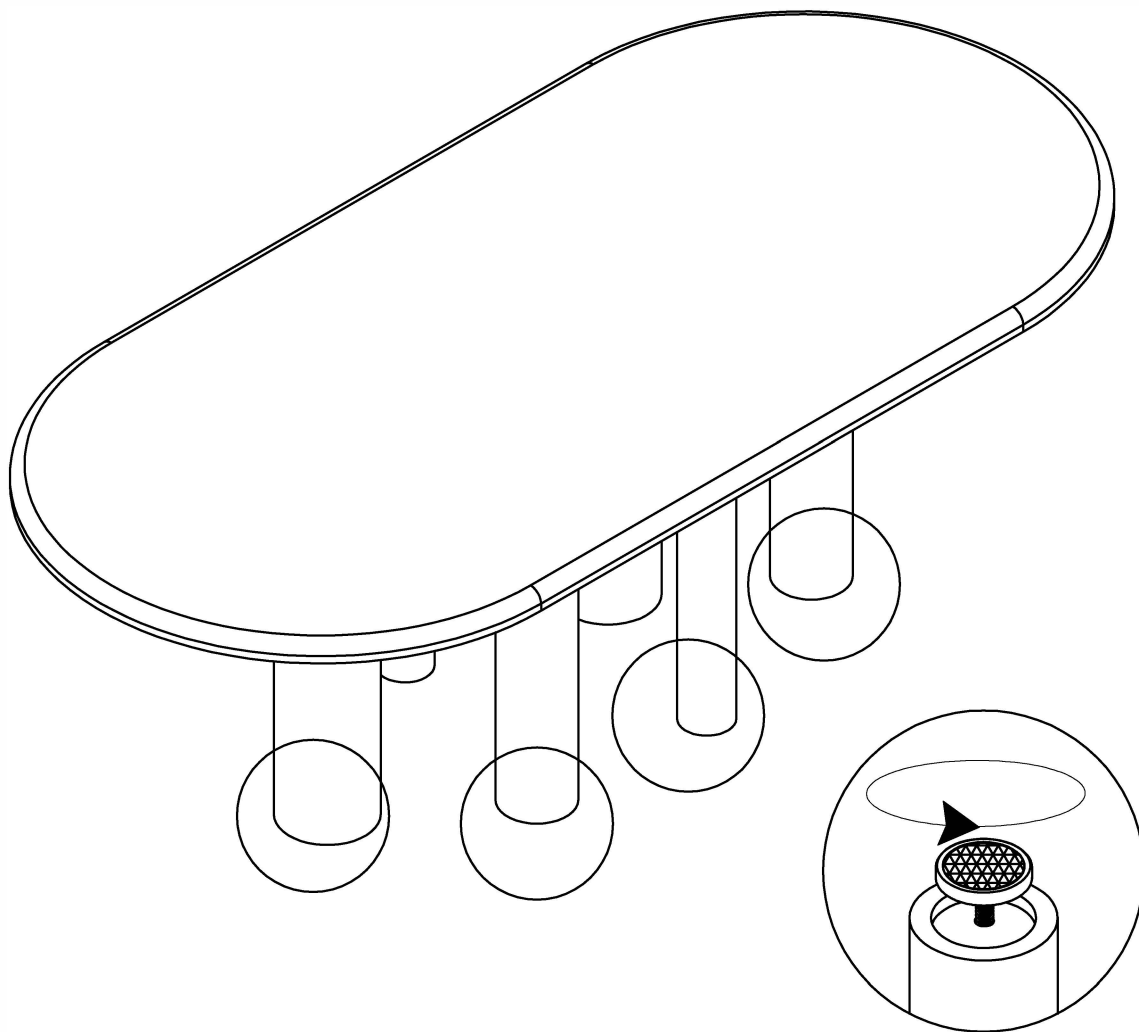




5



⑥







**THAT'S ALL FOLKS**

Share your style!

**#KaveHome**

