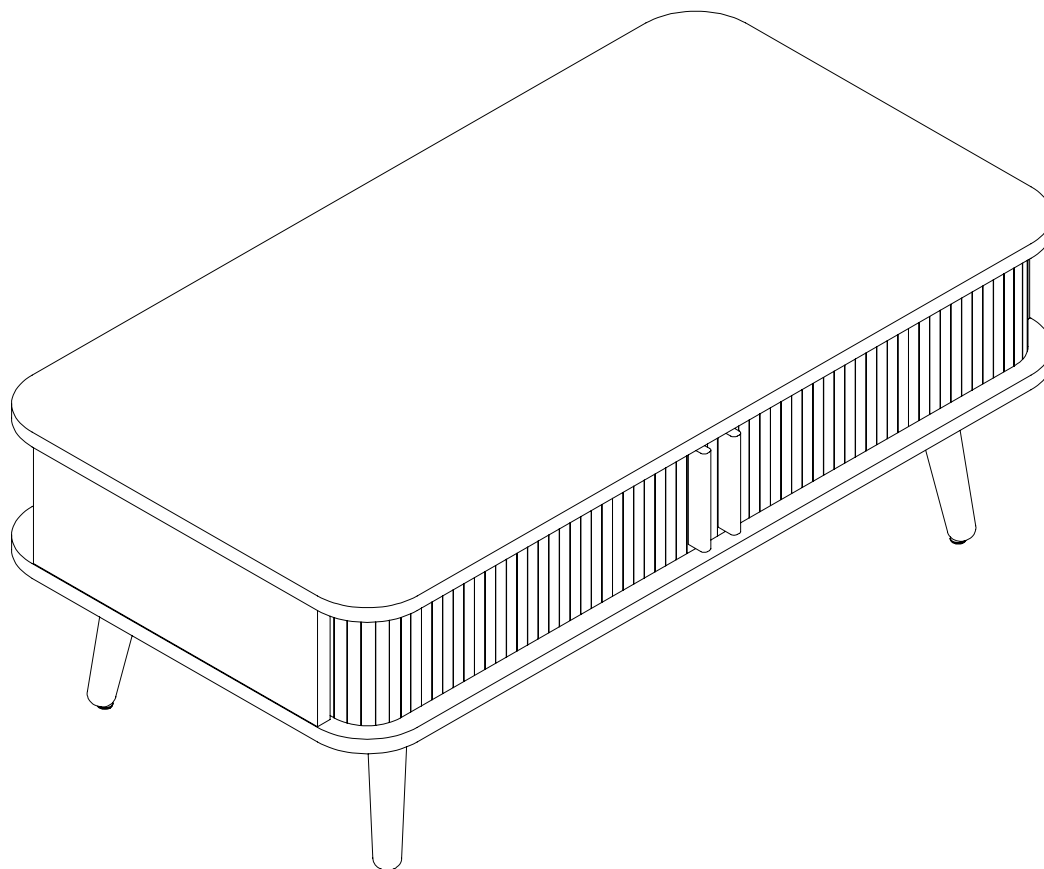


# Assembly Instruction

---



---

1075x580x405mm

---

**Batch code:**



**Woodman OÜ**

Made in Estonia  
Mäo, Järvamaa  
[www.woodman.ee](http://www.woodman.ee)  
[support@woodman.ee](mailto:support@woodman.ee)

# Dear Customer

Congratulations on your new purchase. Follow this advice and get the best result when assembling the product.

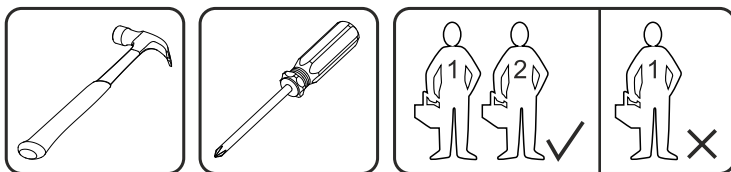
Read the instruction carefully before you start  
Get help, If two persons are required for assembly  
Make sure, you have all parts on the total material list  
Work on a soft, flat surface to avoid any damage to the finish

Follow the assembly instruction  
Tighten the furniture joints after a month  
Keep the assembly instruction

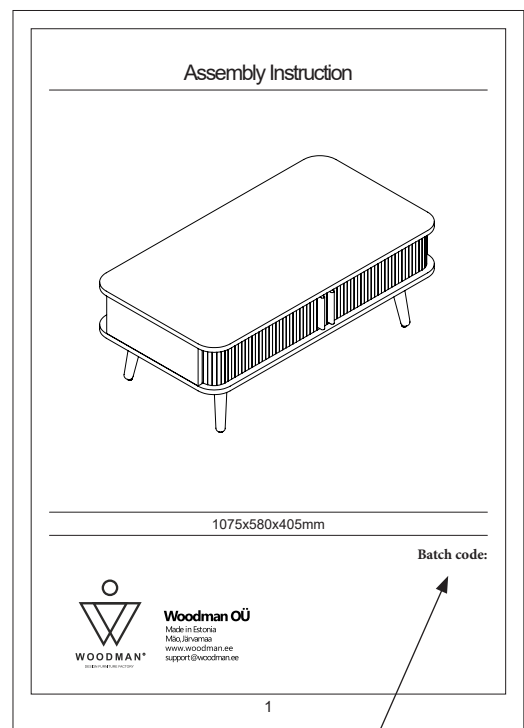
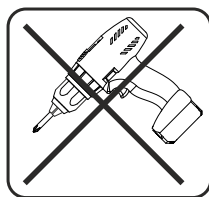
## Allocate time

Some furniture can be assembled in minutes. Others - e.g. products in several parts - can take more than an hour to finish. Make sure to allocate good time or divide up the work.

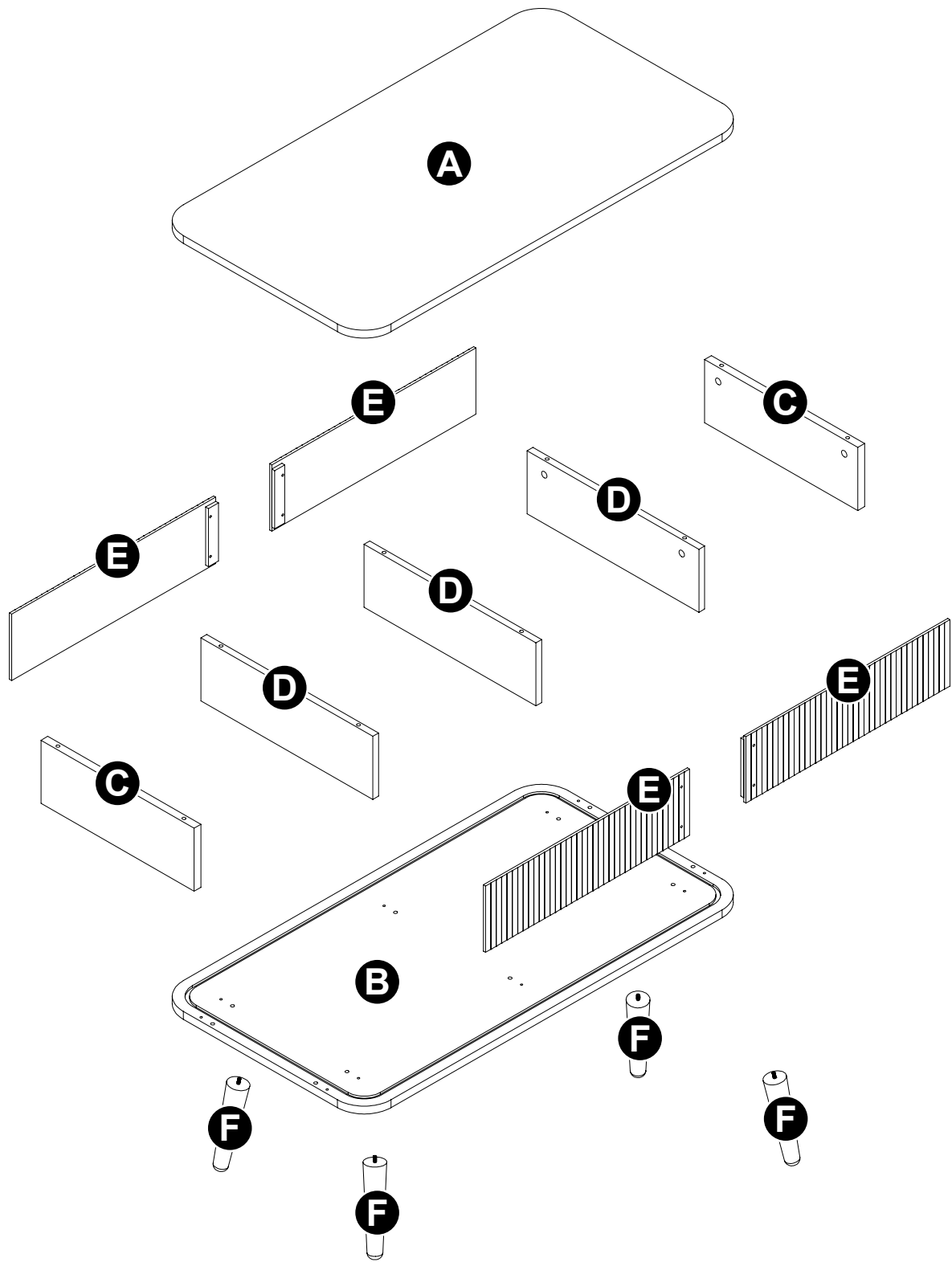
## Tools needed

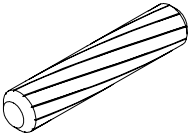
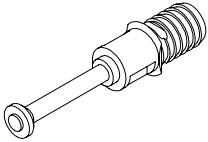
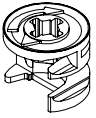
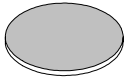
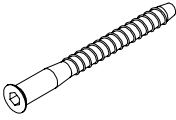
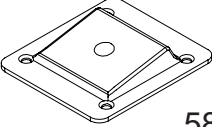
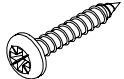
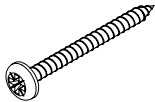
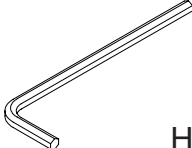
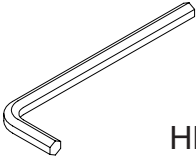
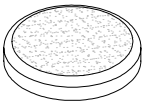
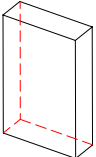
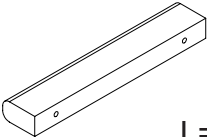


## Don't use!!!



ENG - In case of any quality issues, contact your local dealer and always mention item Batch code.  
FR - En cas de problèmes de qualité, contactez votre revendeur local et mentionnez toujours la référence de l'article / Batch code.  
IT - In caso di eventuali problemi di qualità, contattare il rivenditore locale e citare sempre punto di riferimento No / Batch code.  
ES - En caso de problemas de calidad, póngase en contacto con su distribuidor local y mencione siempre la referencia del artículo / Batch code.  
DE - Wenn Sie Qualitätsprobleme haben wenden Sie sich bitte an ihren örtlichen Händler und erwähnen Sie immer die Artikelnummer / Batch code.



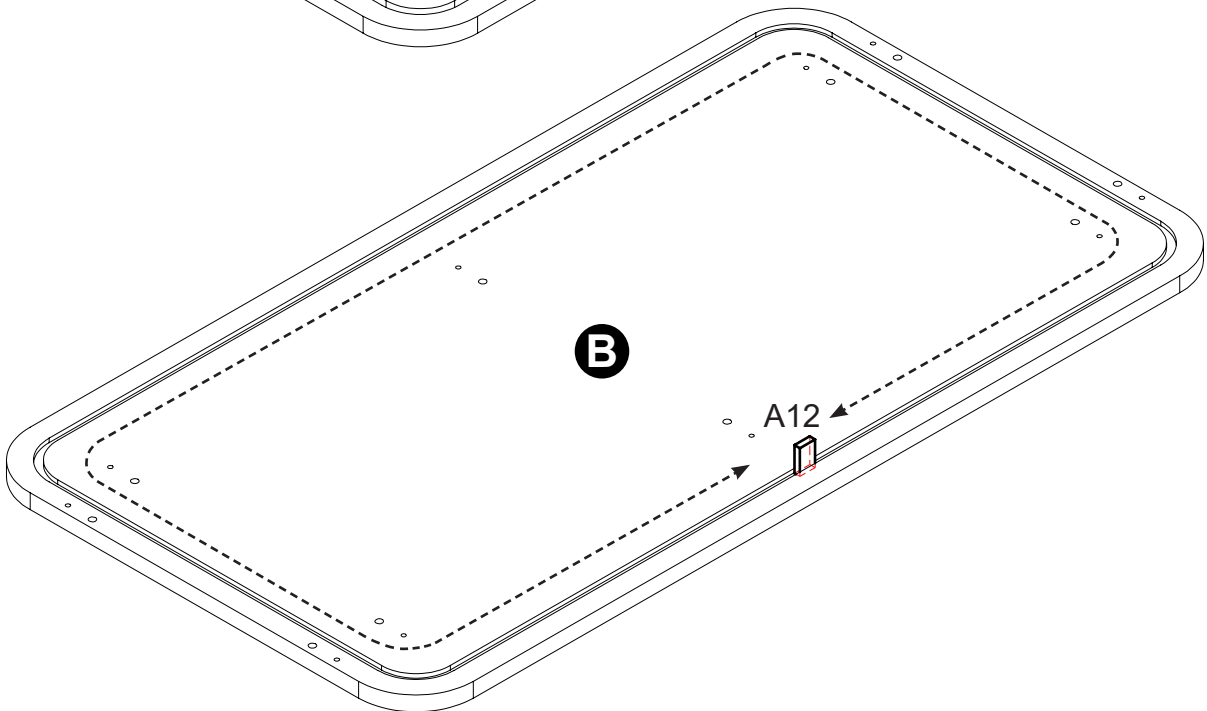
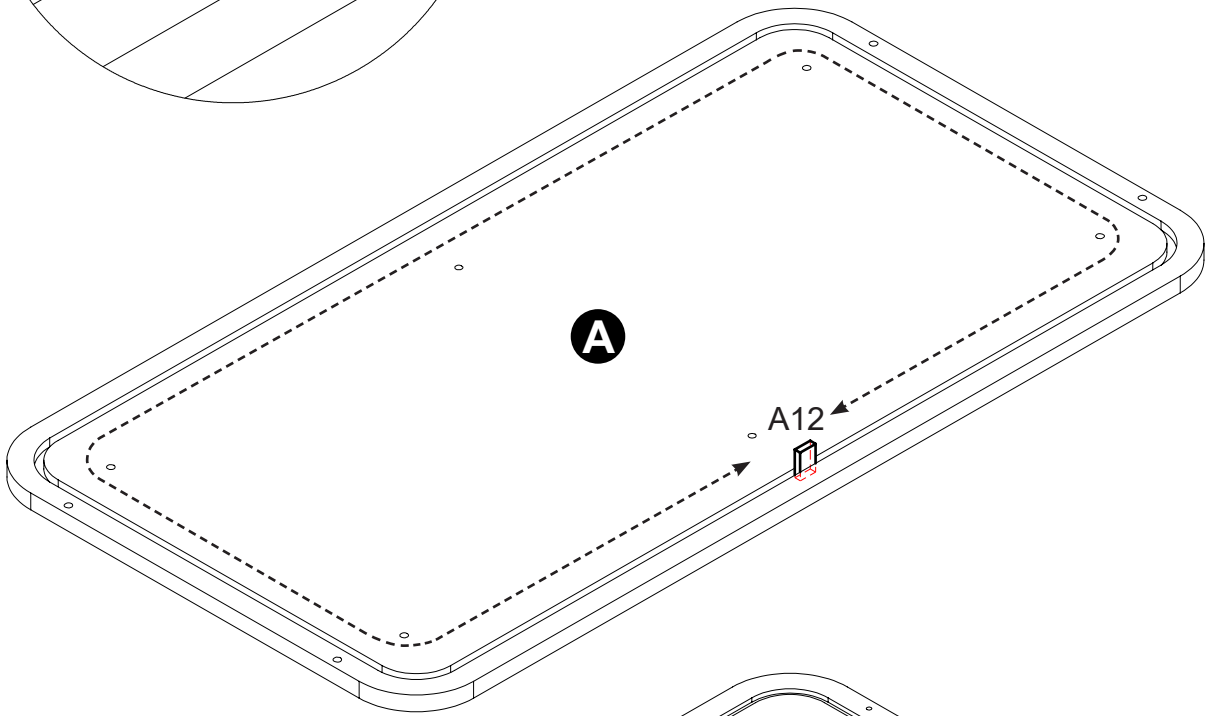
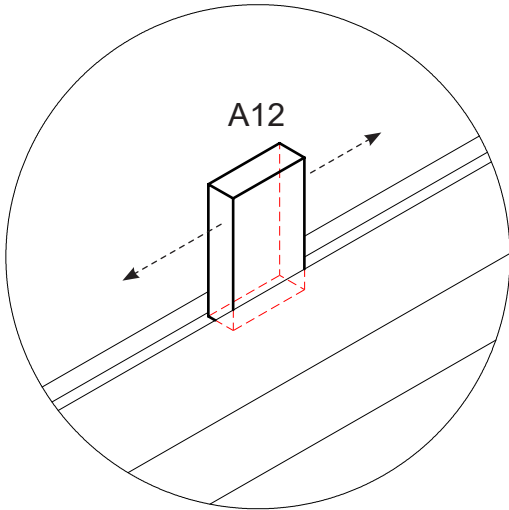
<p>A1</p>  <p>x10</p> <p>8x40 mm</p>	<p>A2</p>  <p>x10</p> <p>34 mm</p>	<p>A3</p>  <p>x10</p> <p>15 mm</p>
<p>A4</p>  <p>x6</p> <p>20 mm</p>	<p>A5</p>  <p>x10</p> <p>5x50 mm</p>	<p>A6</p>  <p>x4</p> <p>58x66 mm</p>
<p>A7</p>  <p>x16</p> <p>3,5x16 mm</p>	<p>A8</p>  <p>x8</p> <p>3,5x25 mm</p>	<p>A9</p>  <p>x1</p> <p>HEX 3 mm</p>
<p>A10</p>  <p>x1</p> <p>HEX 4 mm</p>	<p>A11</p>  <p>x4</p> <p>17 mm</p>	<p>A12</p>  <p>x1</p> <p>paraffin</p>
<p>A13</p>  <p>x4</p> <p>L=128 mm</p>		

1

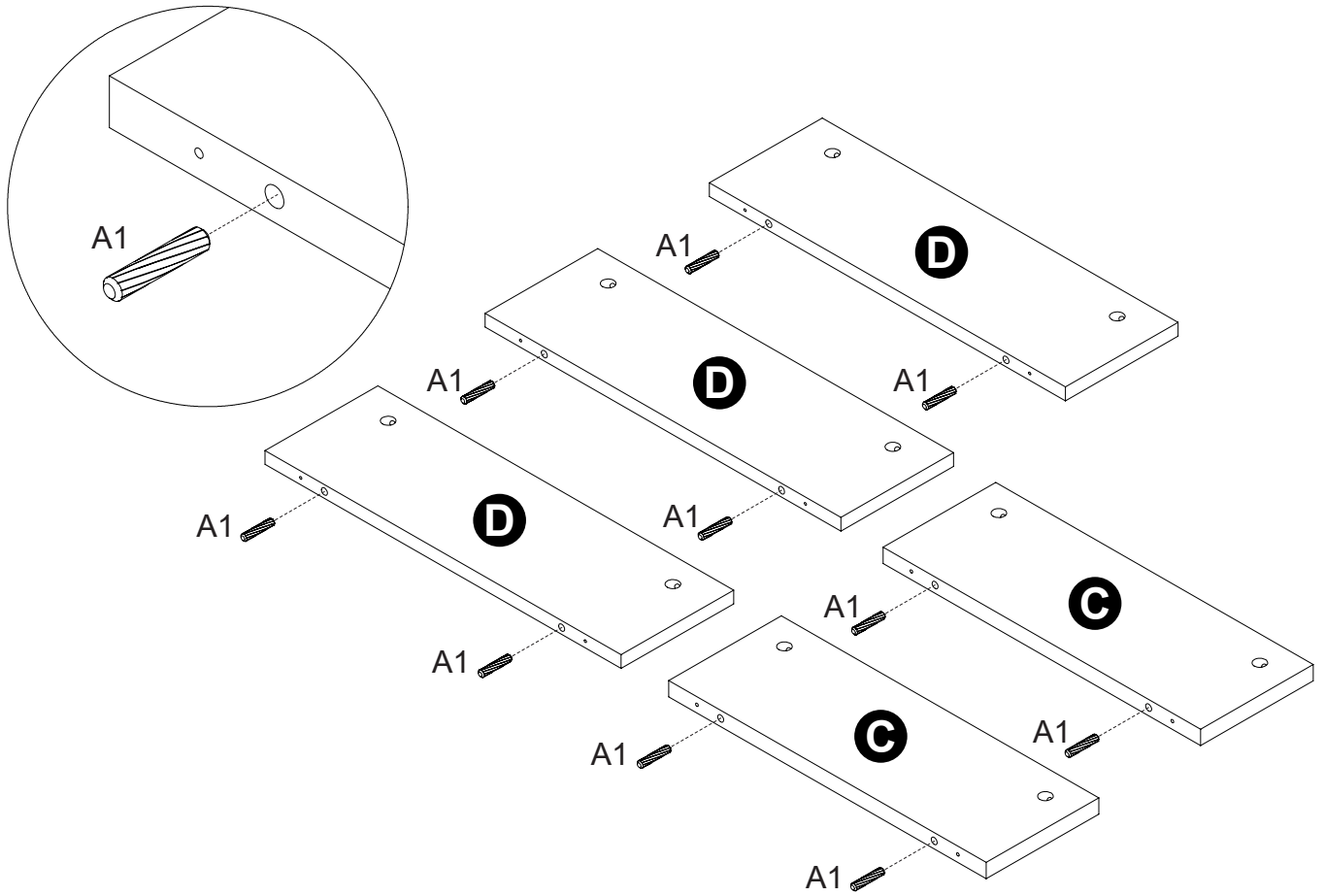
\* Rub candlewax or paraffin wax on the bottom of the groove

\* Frottez la cire de bougie ou la cire de paraffine au fond de la rainure

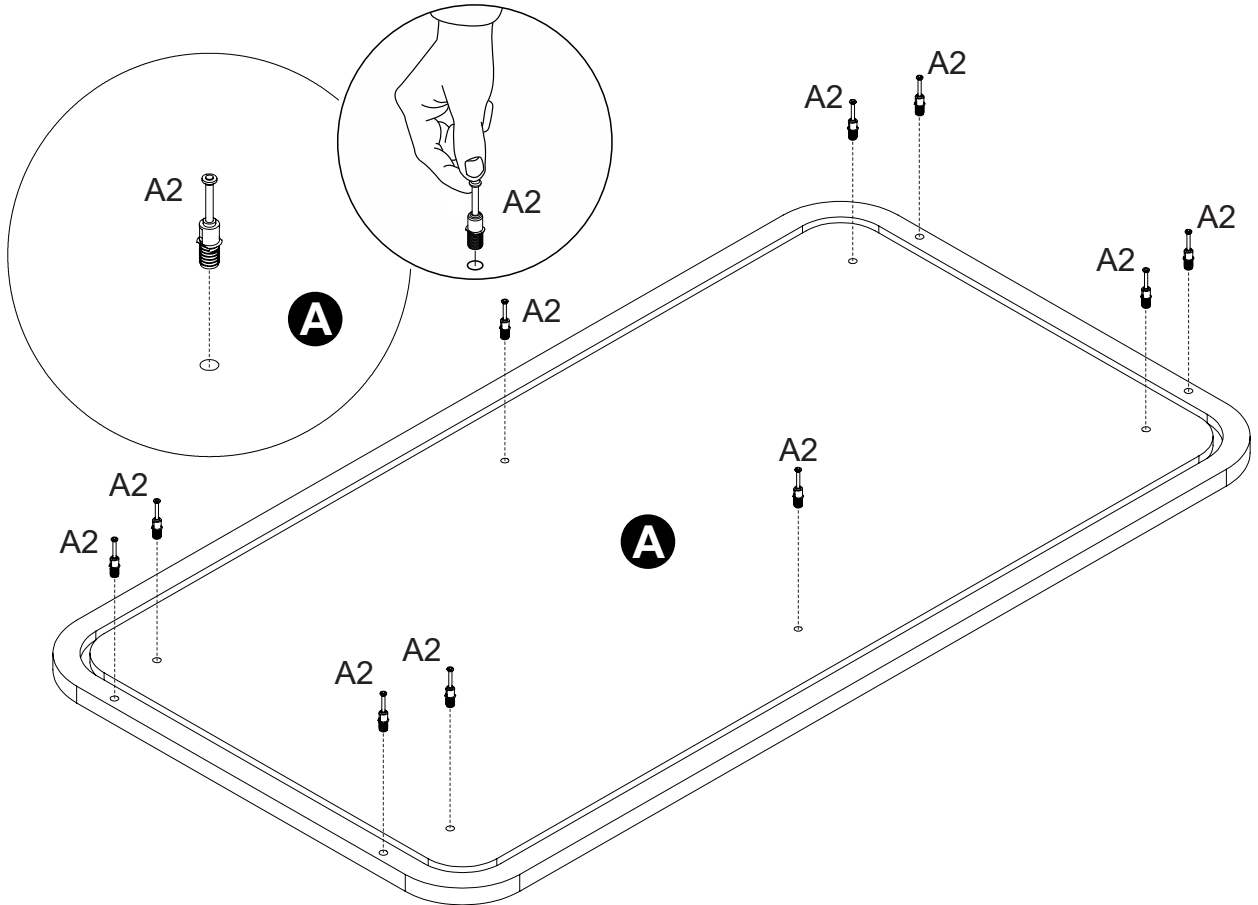
\* Frotar cera de vela o cera de parafina en la parte inferior de la ranura



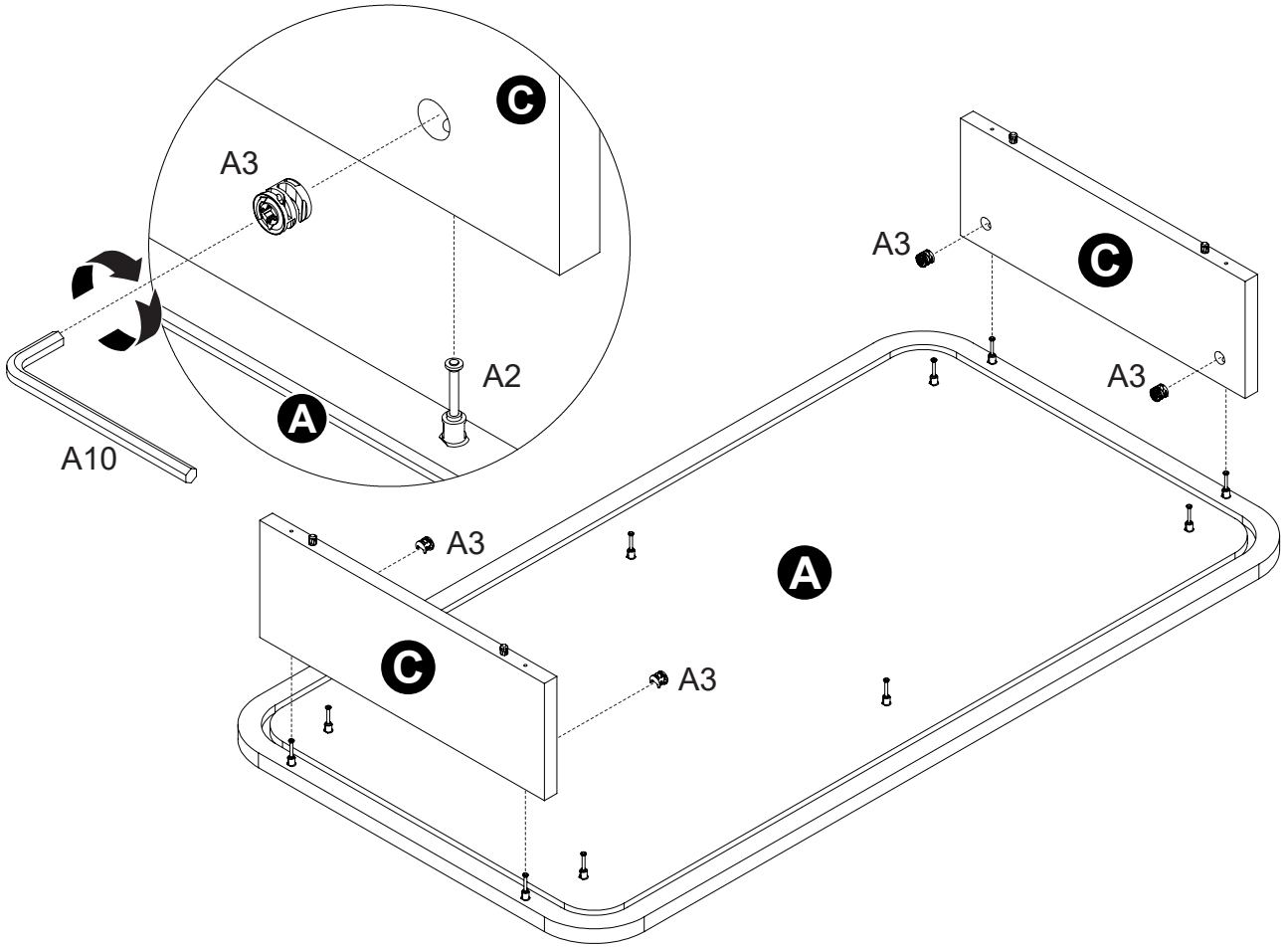
2



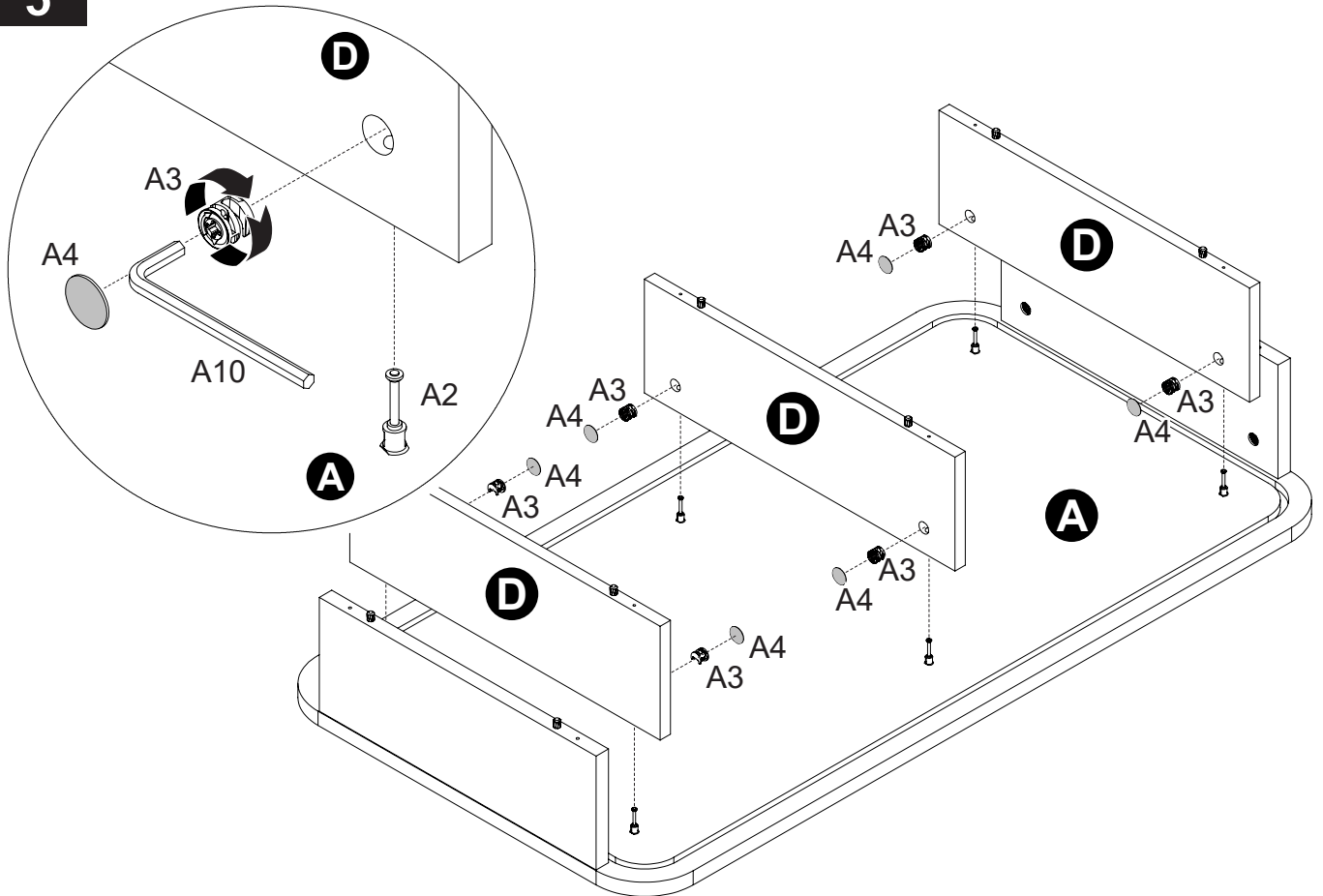
3

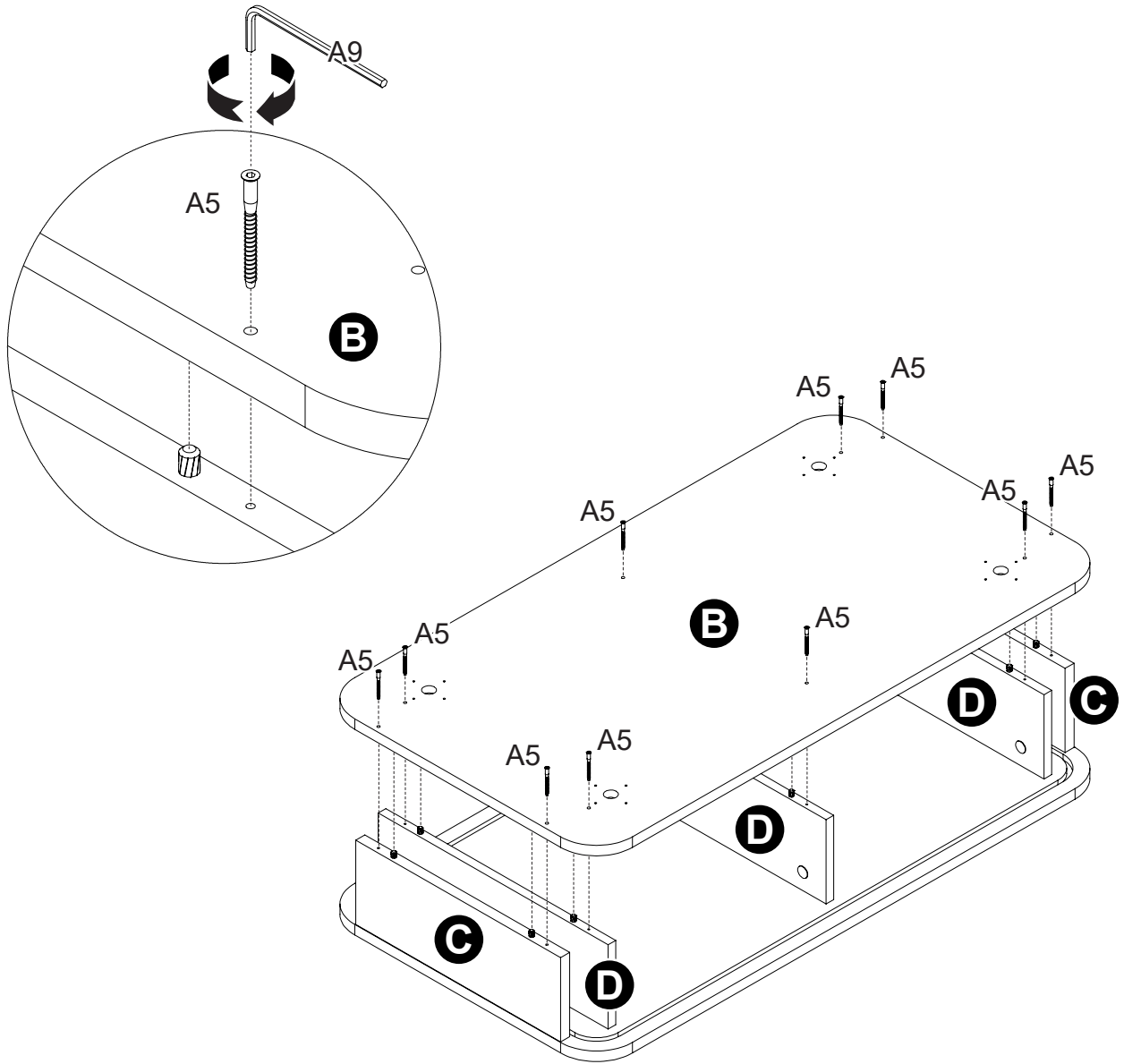


4



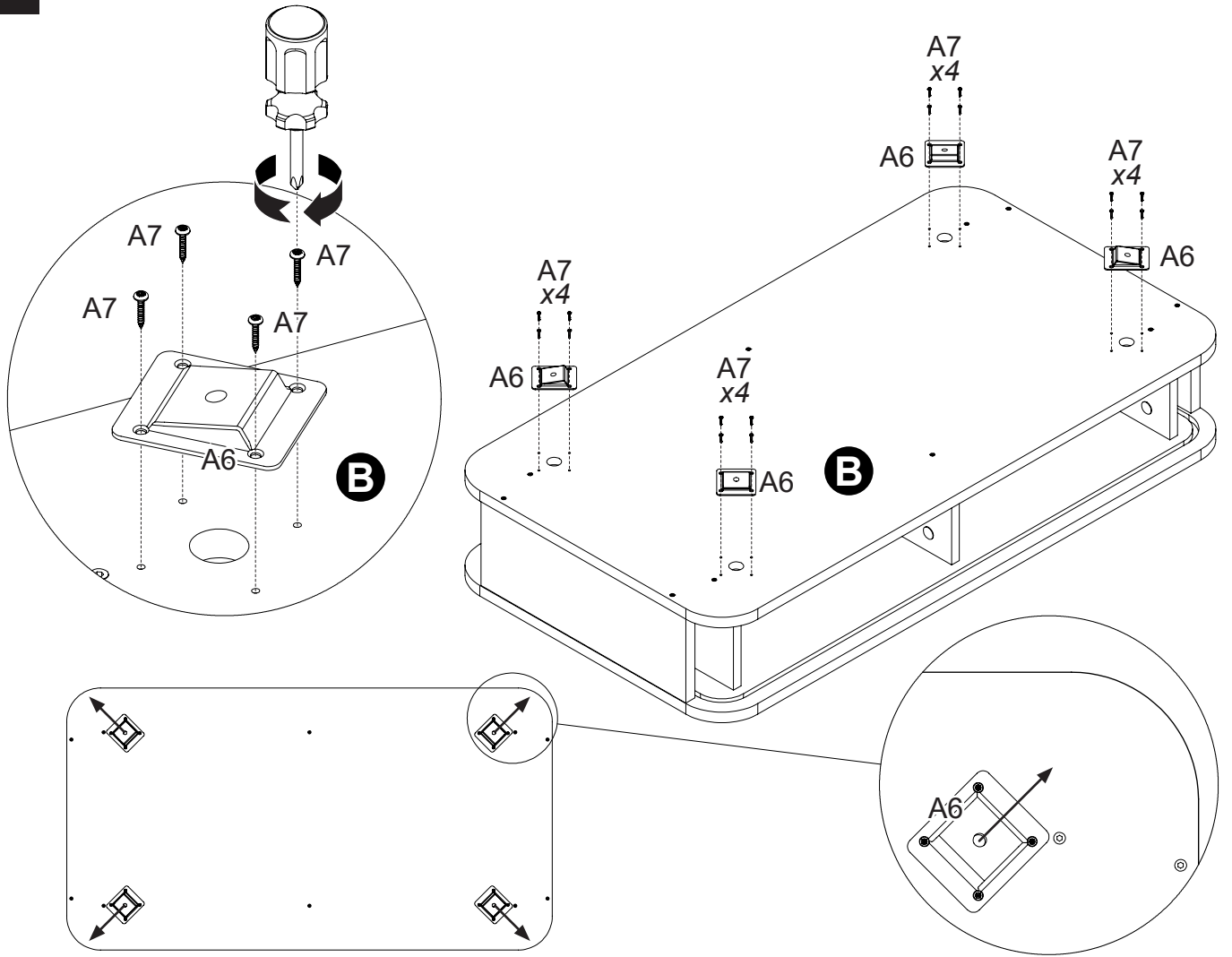
5



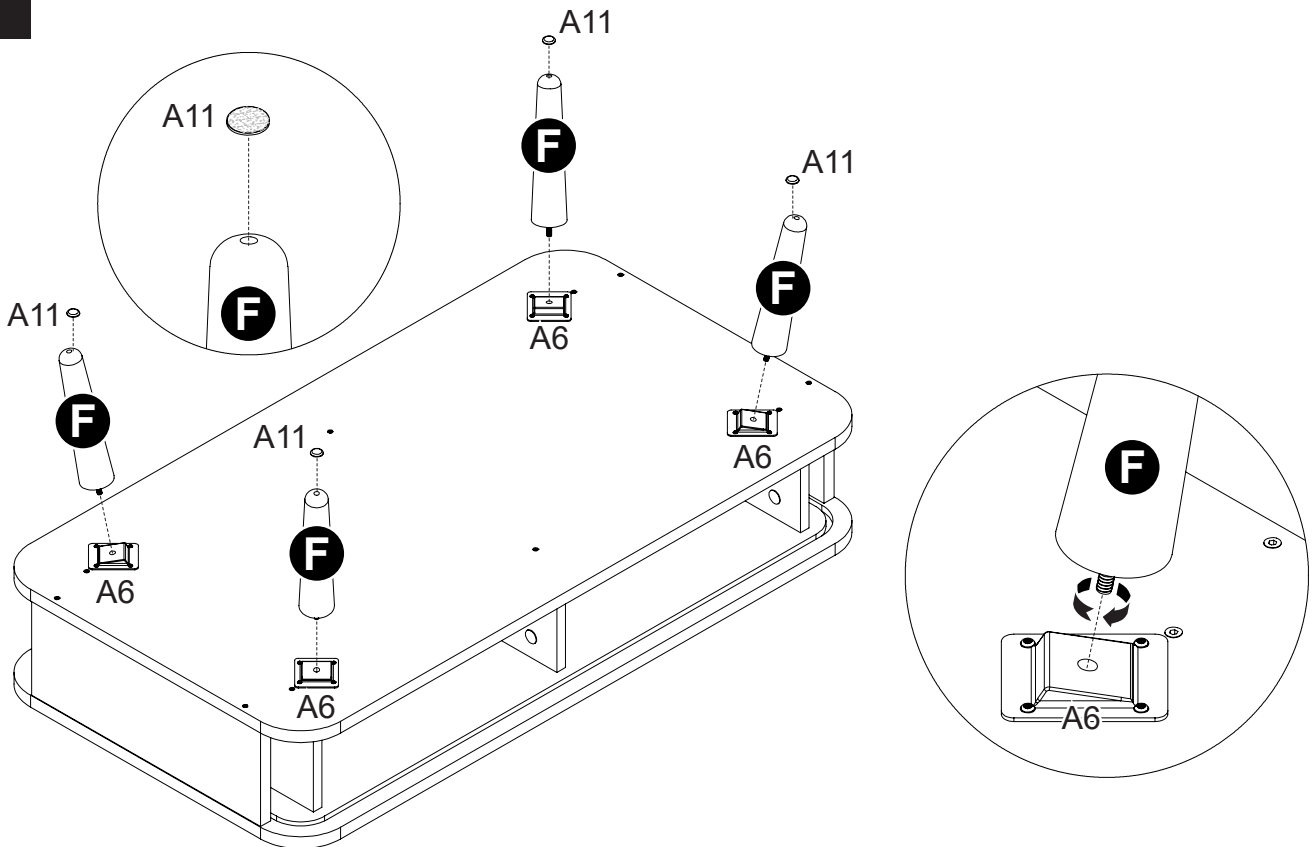


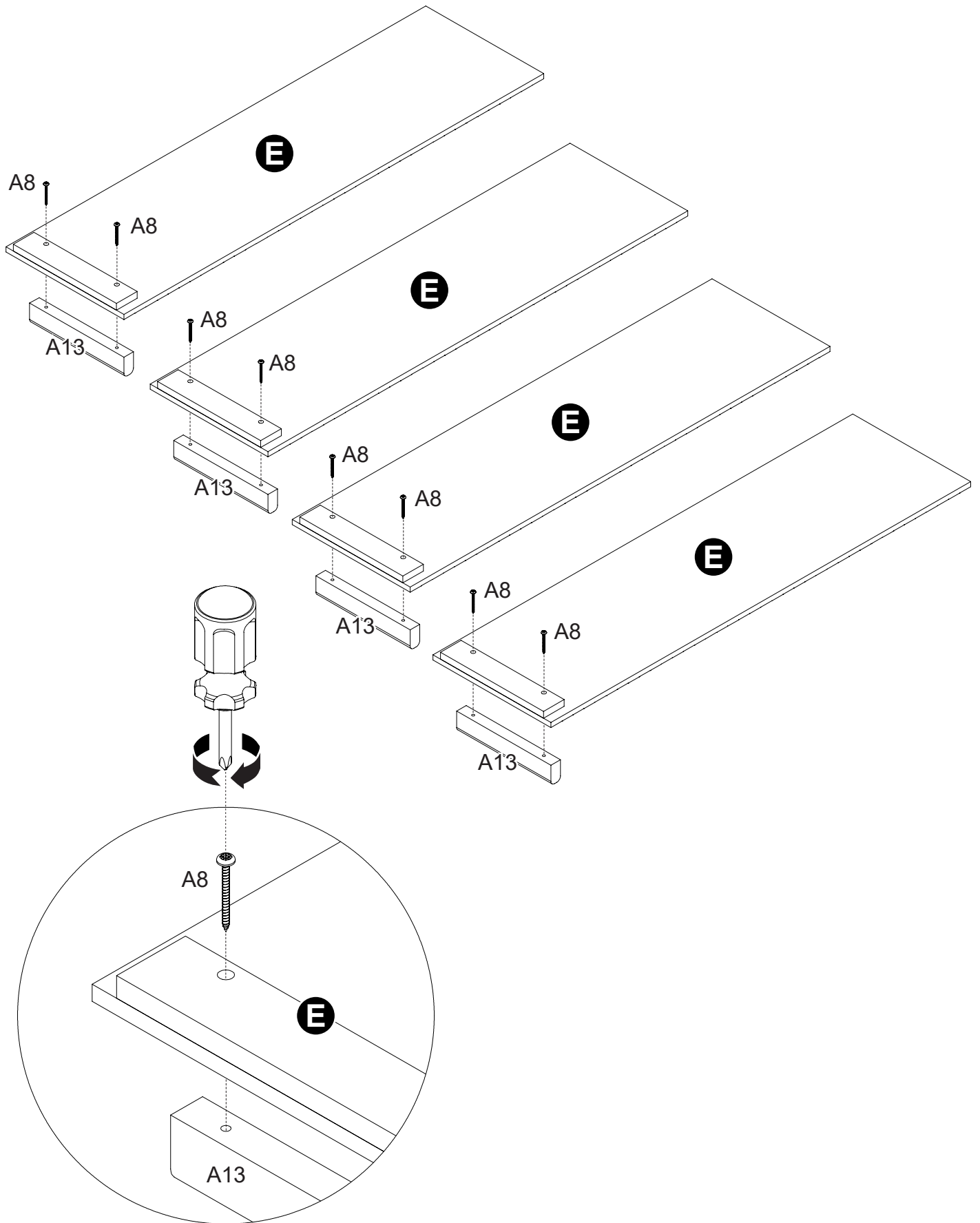


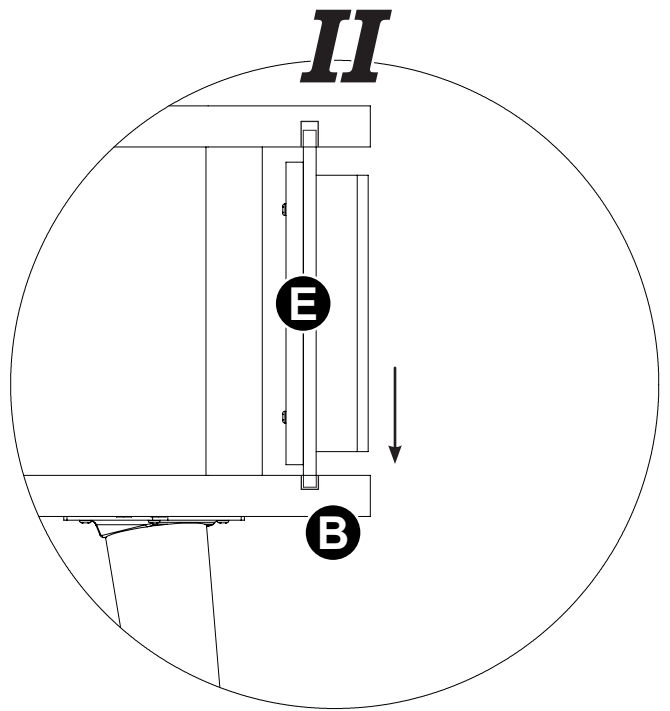
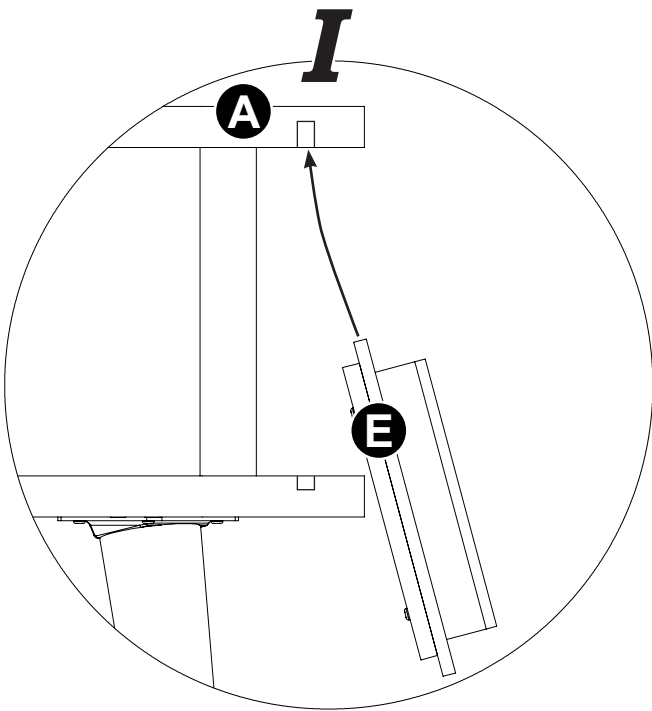
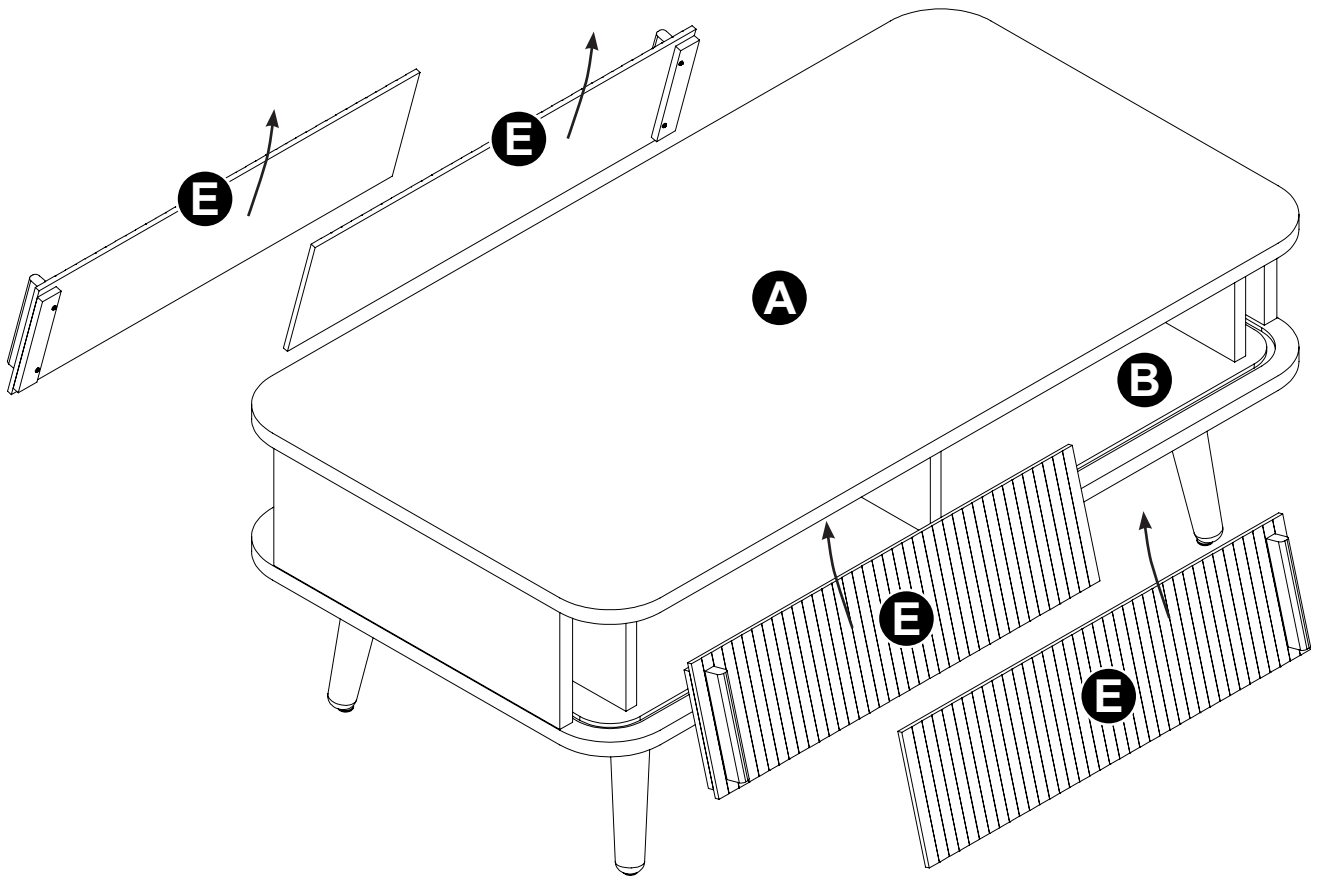
7

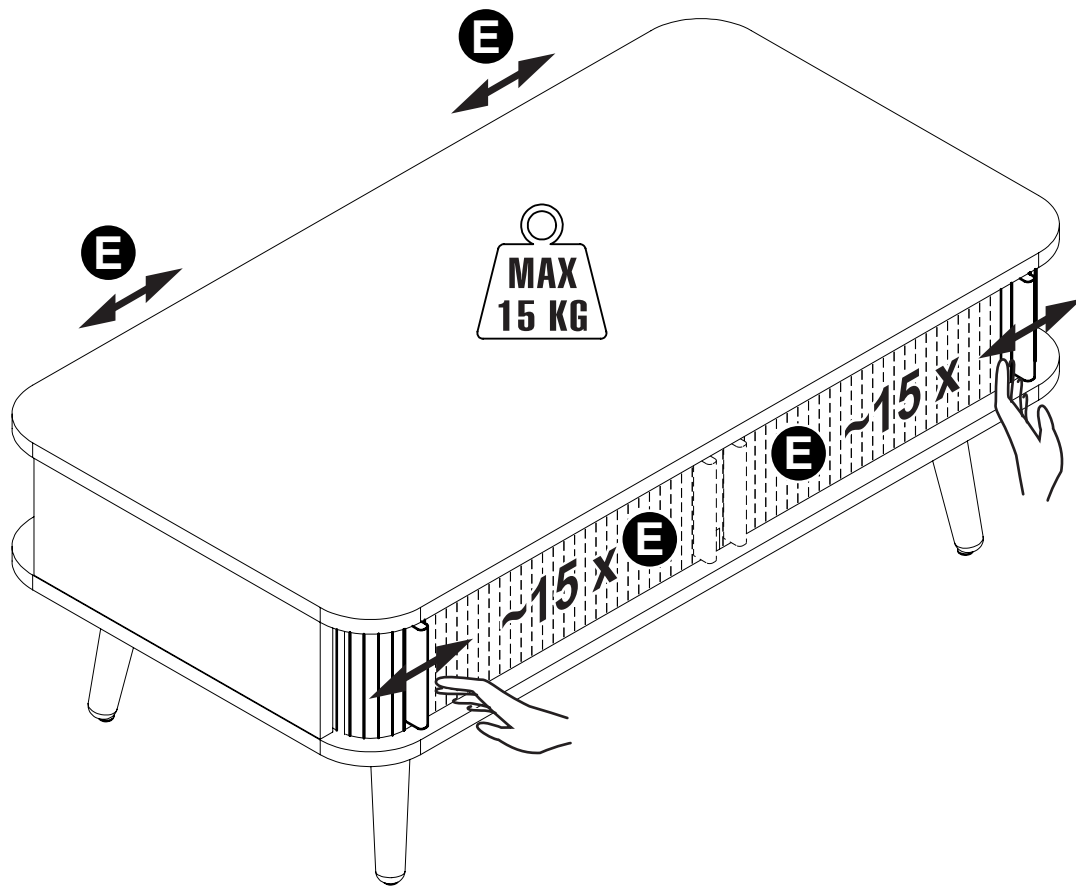


8









\*Doors should be worked in before using

- Move doors back and forth 15x

Maintenance:

- Rub candlewax or paraffin wax on the bottom of the groove
- Move doors back and forth 15x

\*Les portes doivent être travaillées avant utilisation

- Déplacez les portes d'avant en arrière 15x

Maintenance:

- Frottez la cire de bougie ou la cire de paraffine au fond de la rainure
- Déplacez les portes d'avant en arrière 15x

\*Las puertas deben trabajarse antes de usar

- Mueva las puertas hacia adelante y hacia atrás 15x

Mantenimiento:

- Frotar cera de vela o cera de parafina en la parte inferior de la ranura
- Mueva las puertas hacia adelante y hacia atrás 15x