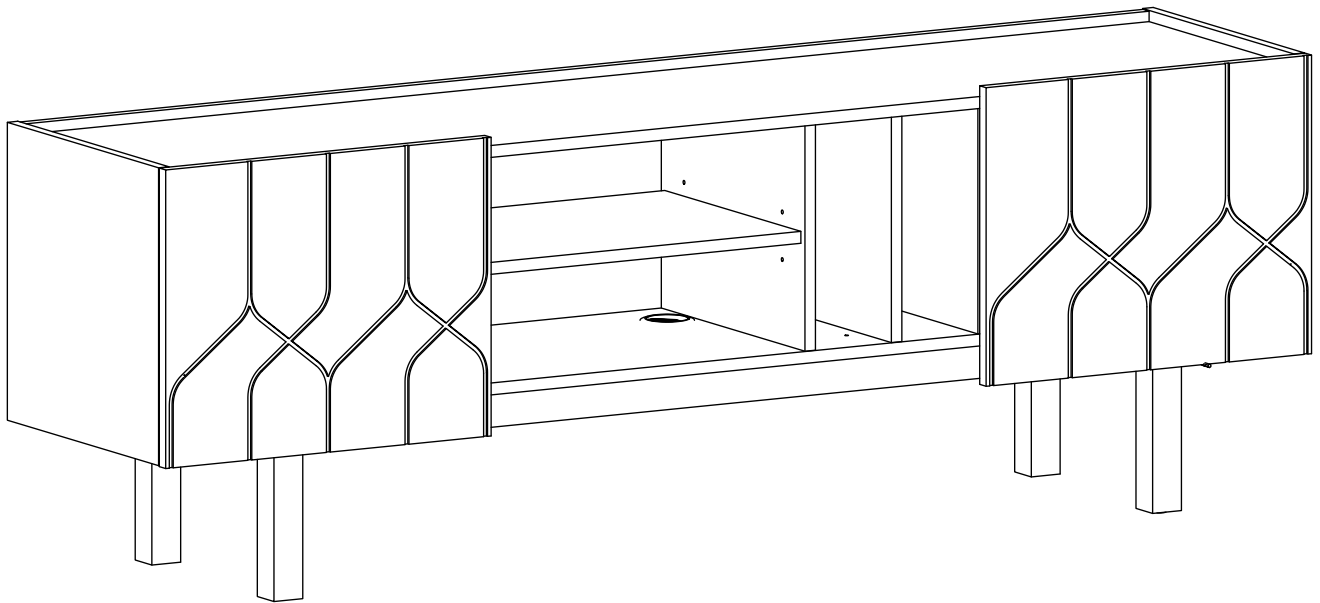


Assembly Instruction

Porto TV Unit



1750 x 400 x 600

Kære kunde

Tillykke med dit nye køb.
Følg disse råd og få det bedste resultat, når du samler produktet.

- Læs vejledningen grundigt, før du går i gang
- Find hjælp, hvis I skal være to til at samle møblet
- Tjek at pakken indeholder alle dele på materialeoversigten
- Saml møblet på et blødt underlag, så du undgår ridser
- Følg vejledningen nøje
- Efterspænd møblet efter en måned
- Gem denne vejledning

Afsæt tid

Nogle møbler kan samles på få minutter. Andre – der f.eks. består af flere dele – kan tage over en time at samle. Afsæt god tid eller gør evt. arbejdet af flere omgange.

Mangler du enkeltdele, eller har du spørgsmål til samlevejledningen. Så kontakt kundeservice på ilva.dk. Venligst oplys del nr. og reference nr. fra side 1.

Venlig hilsen
ILVA

Dear Customer

Congratulations on your new purchase.
Follow this advice and get the best result when assembling the product.

- Read the instruction carefully before you start
- Get help, if two persons are required for assembly
- Make sure, you have all parts on the total material list
- Work on a soft, flat surface to avoid any damage to the finish
- Follow the assembly instruction
- Tighten the furniture joints after a month
- Keep the assembly instruction

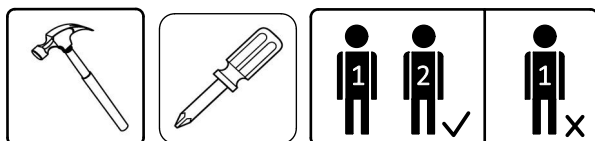
Allocate time

Some furniture can be assembled in minutes. Others – e.g. products in several parts – can take more than an hour to finish. Make sure to allocate good time or divide up the work.

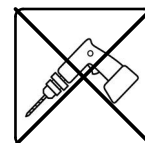
If any parts are missing or if you have questions for the assembly instruction, please contact customer support at ilva.dk. Please mention item no. and reference no from page 1

Best regards,
ILVA

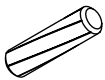




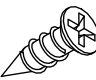

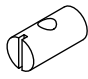






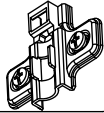
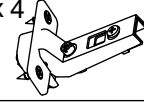
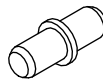

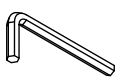
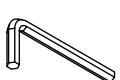
Tools needed

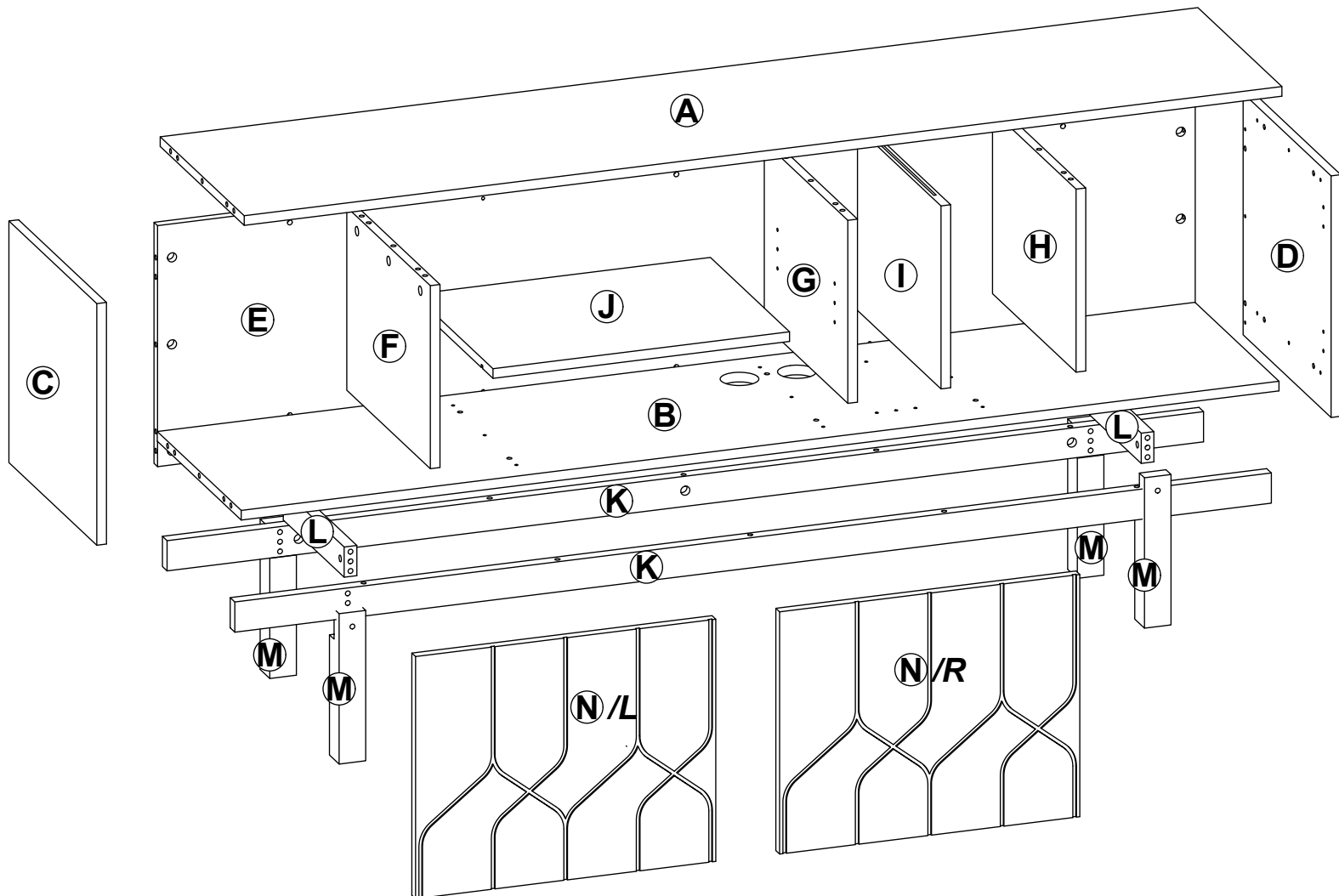


Don't use!!!

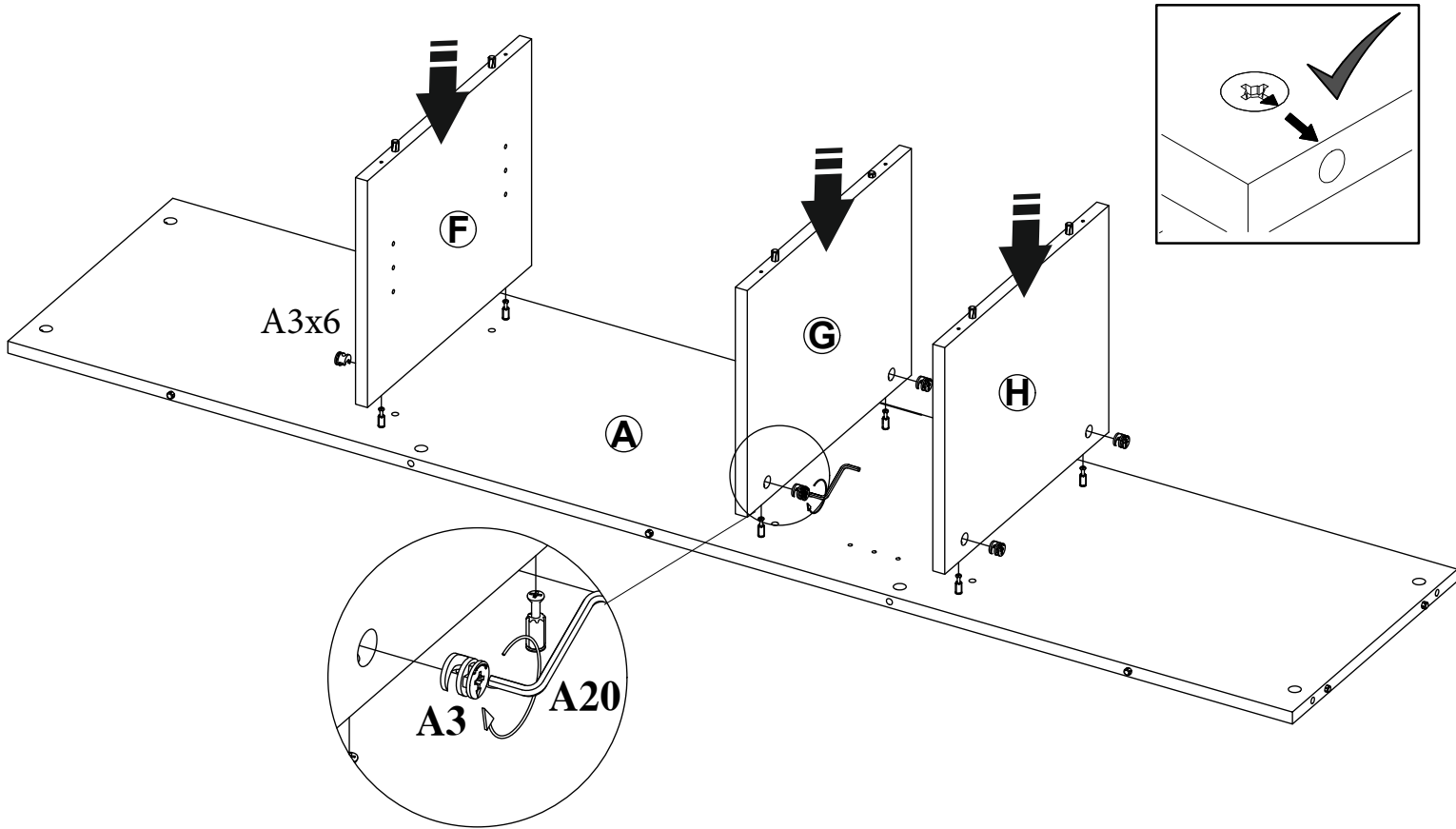
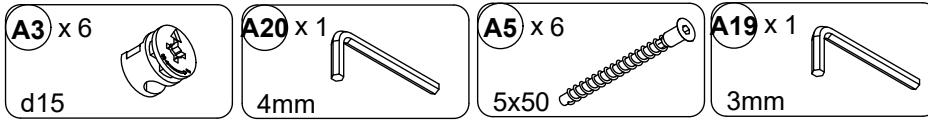


Total material list, hardware

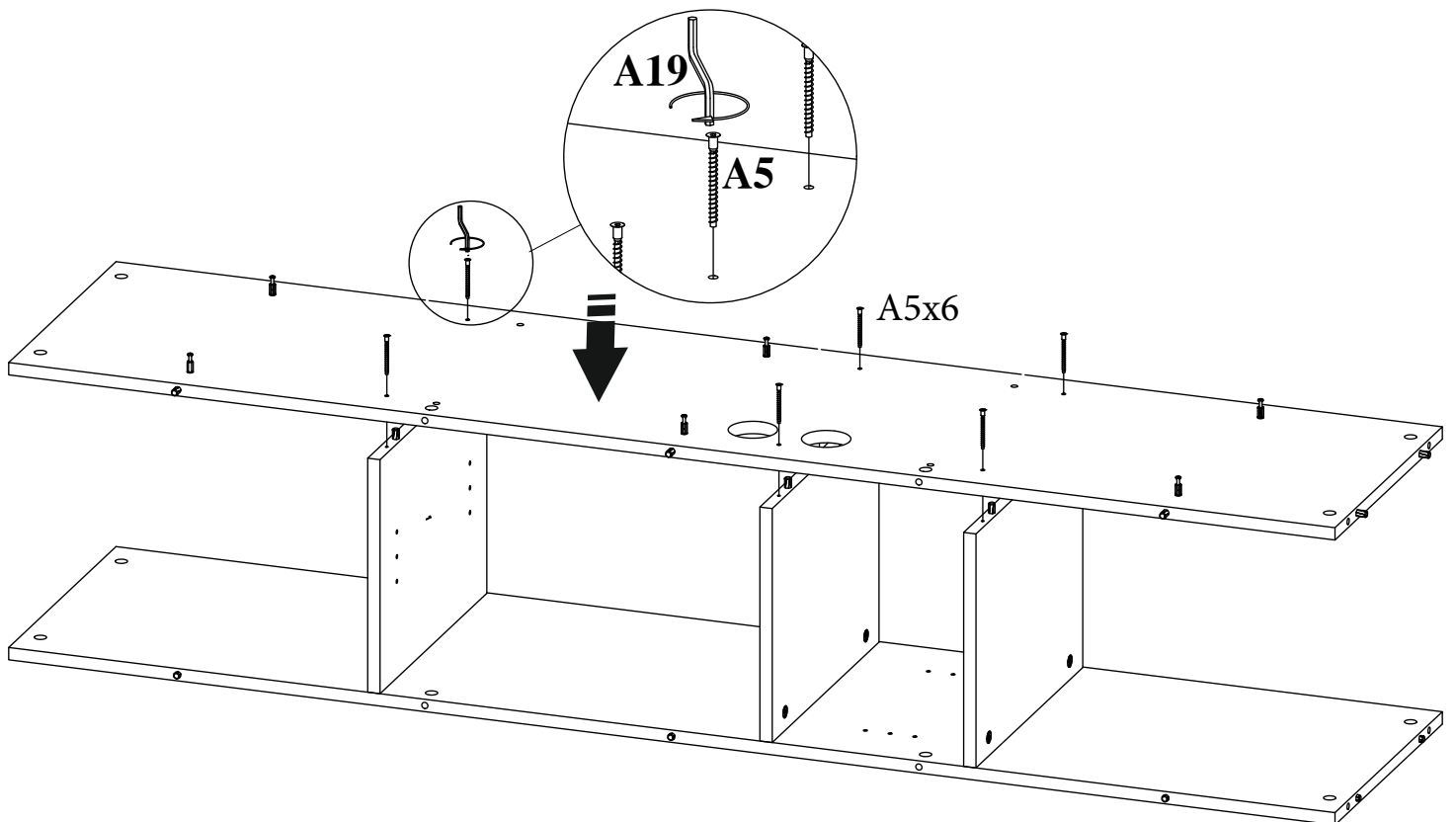
A1 x 34 8x35 	A2 x 8 8x50 	A3 x 28 d15 	A4 x 28 7x24 	A5 x 6 5x50 	A6 x 8 3.5x15 
A7 x 4 6x65 	A8 x 4 M6x10x13 	A9 x 4 M6x10x16 	A10 x 2 224mm 	A11 x 2 60mm 	A12 x 4 17/3 
A13 x 6 17/3 <i>Black</i> 	A14 x 2 17/3 <i>Oak</i> 	A15 x 4 o35 	A16 x 4 	A17 x 4 	A18 x 4 o5x7 
A19 x 1 3mm 	A20 x 1 4mm 				



Assembly instructions, 2



Assembly instructions, 3



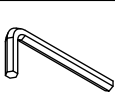
Assembly instructions, 4

A3 x 16

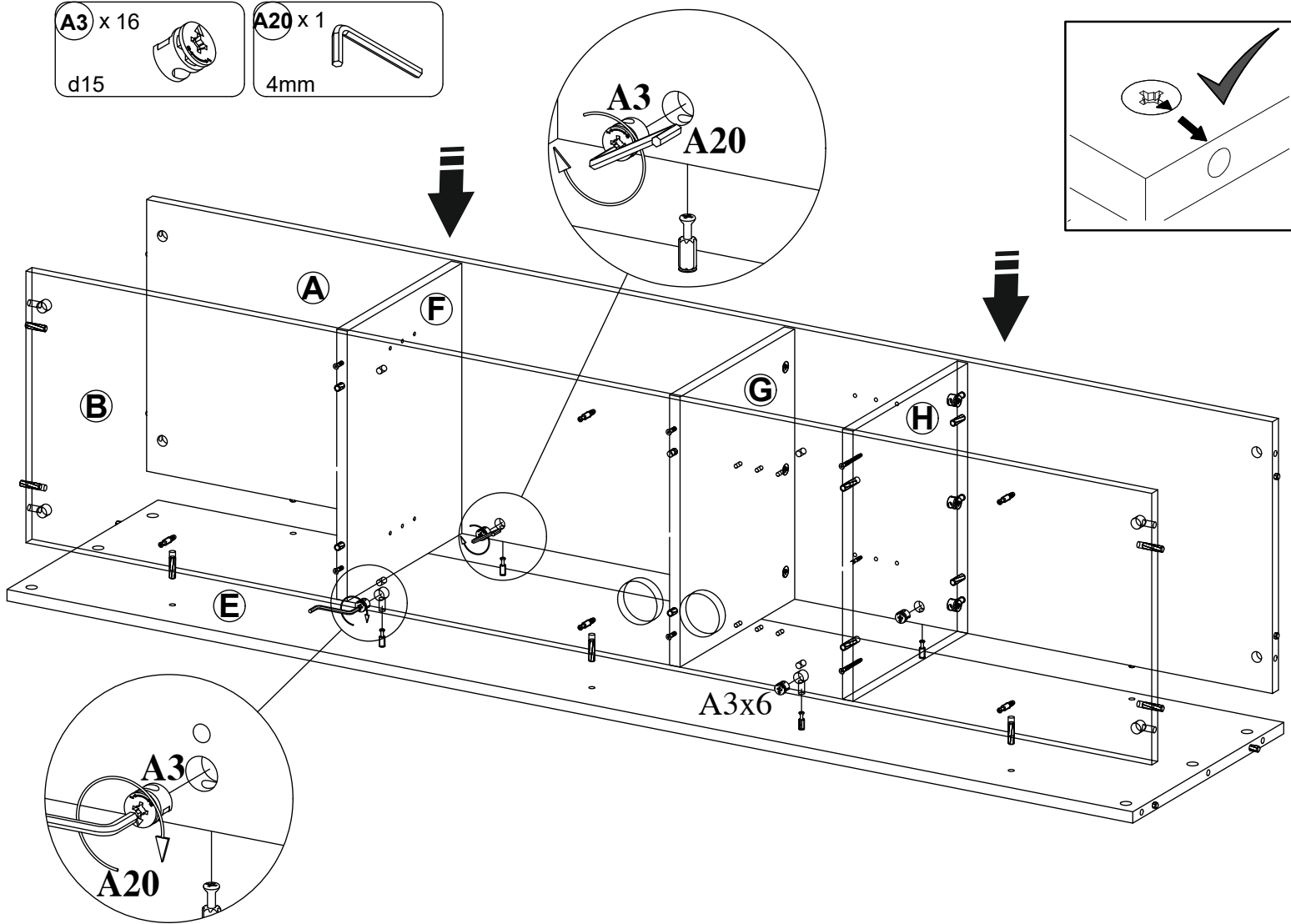


d15

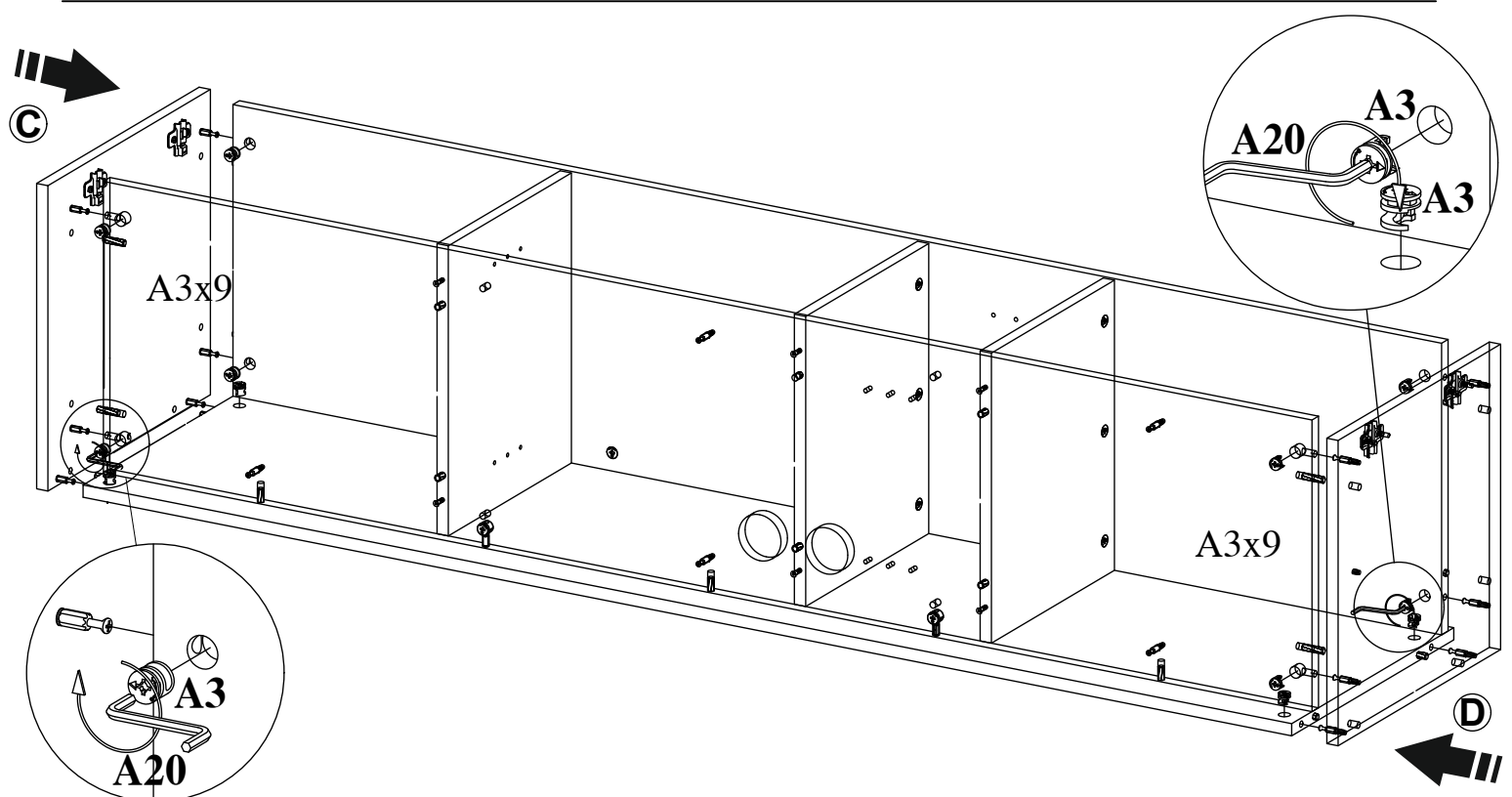
A20 x 1



4mm

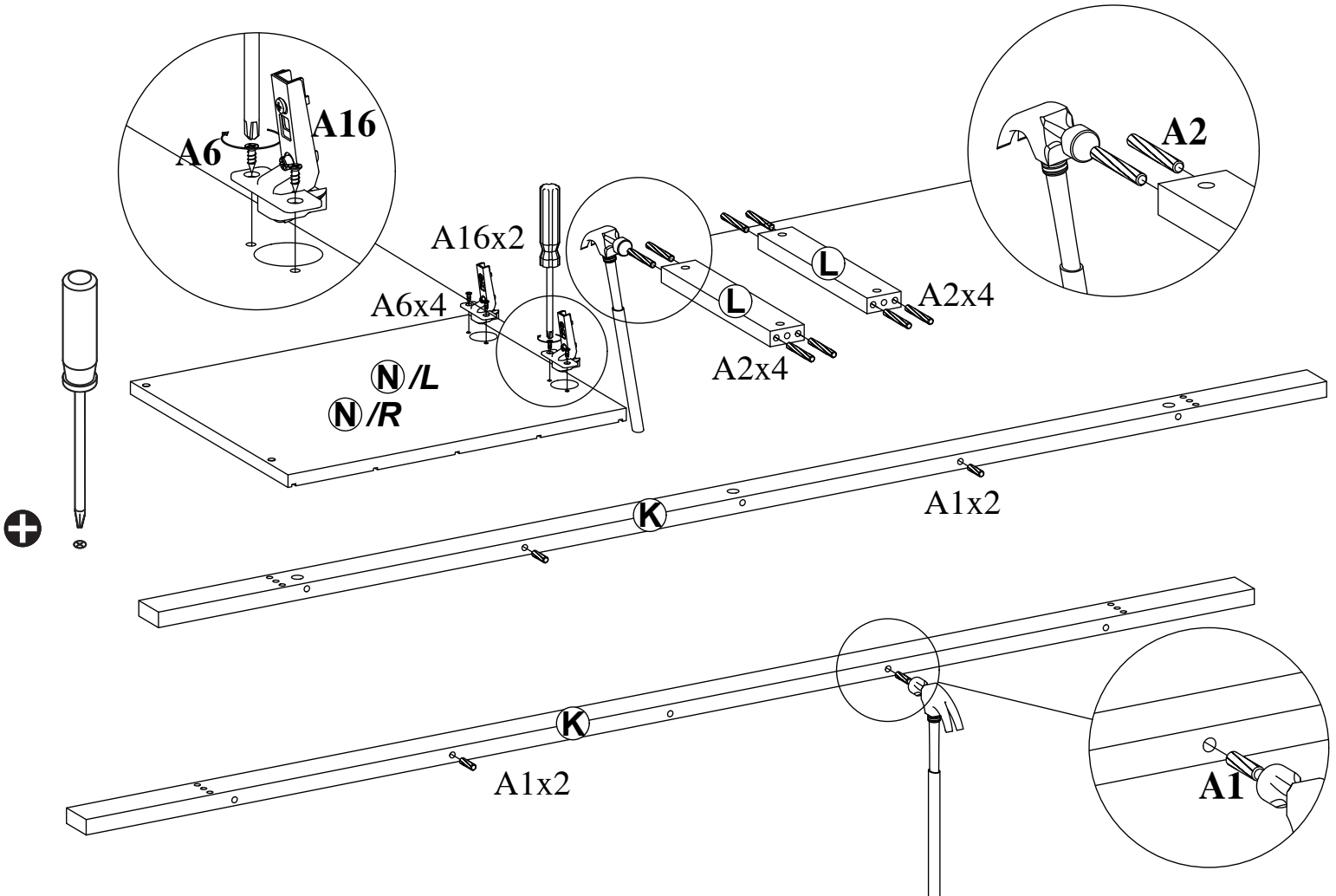


Assembly instructions, 5

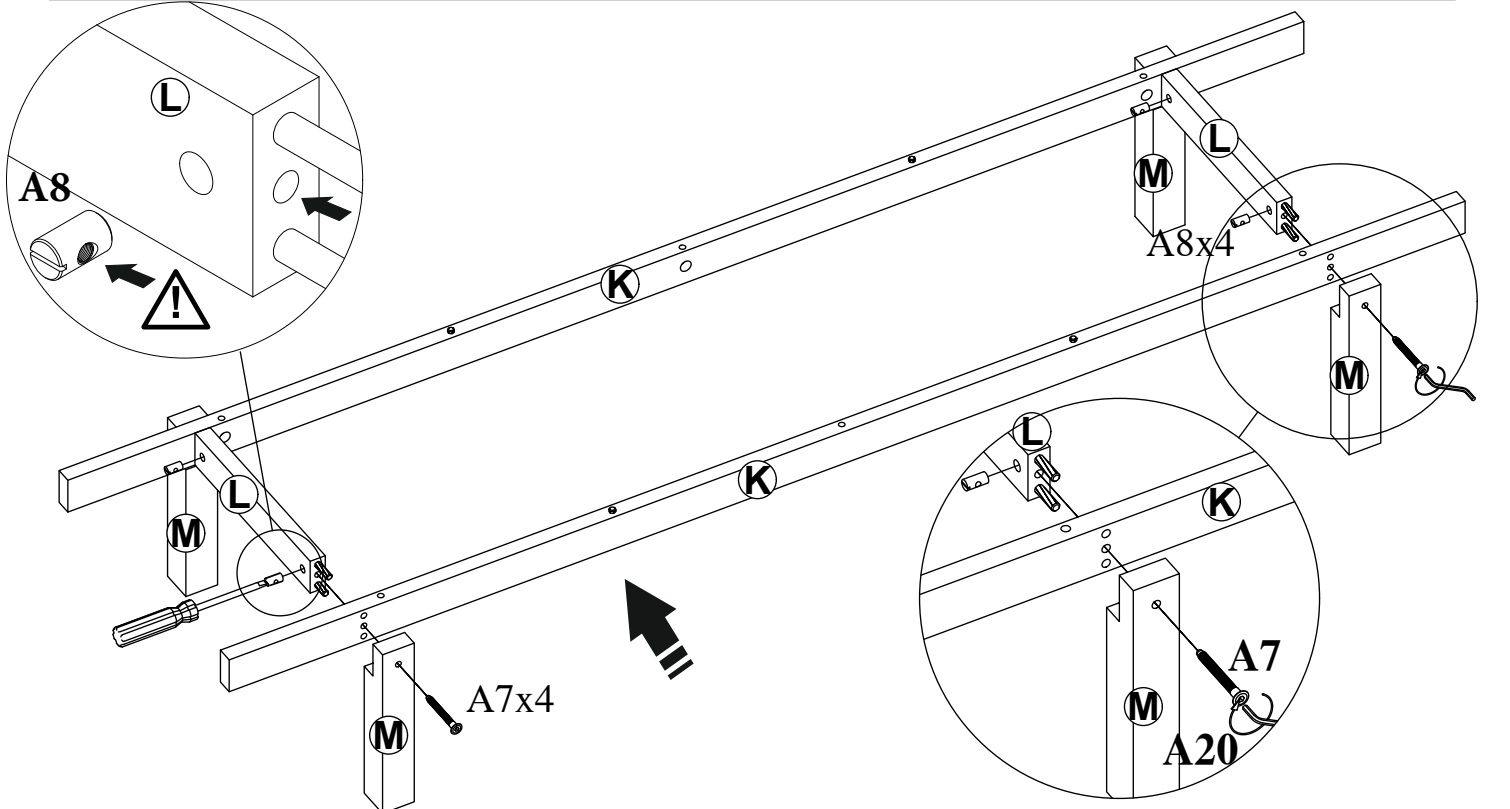


Assembly instructions, 6

A1 x 4 8x35	A16 x 4	A6 x 8 3.5x15	A2 x 8 8x50	A8 x 4 M6x10x16	A7 x 4 6x65
-----------------------	----------------	-------------------------	-----------------------	---------------------------	-----------------------



Assembly instructions, 7



Assembly instructions, 8

A9 x 4



M6x10x16

A3 x 6



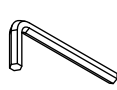
d15

A12 x 4

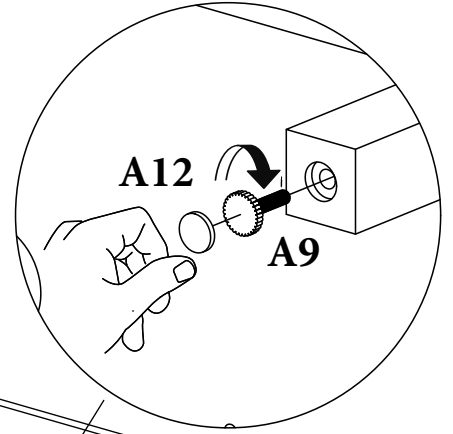


17/3

A20 x 1

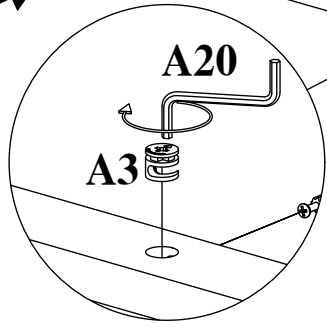
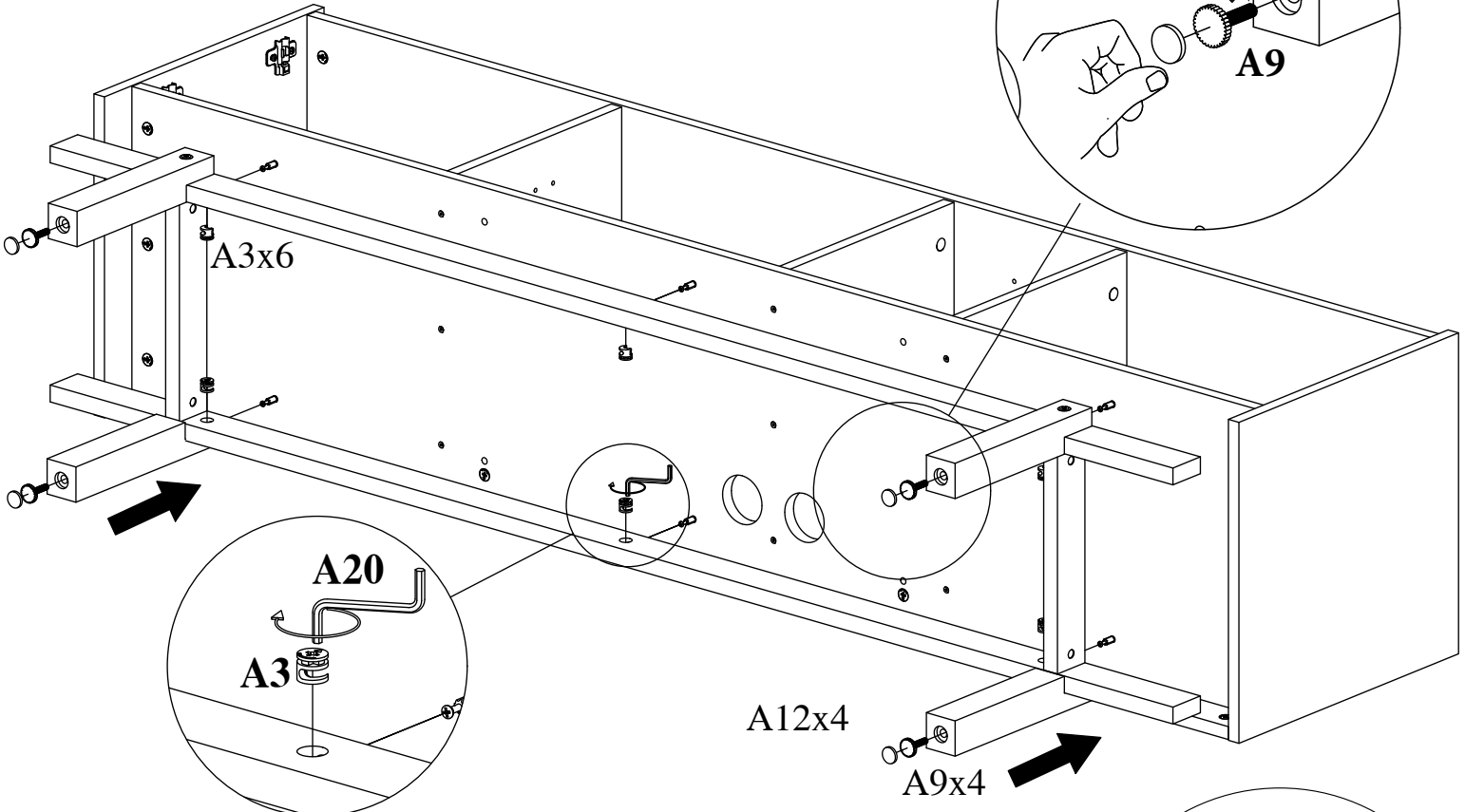


4mm



A12

A9

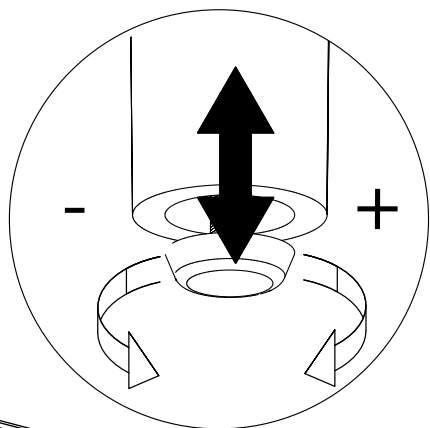


A20

A3

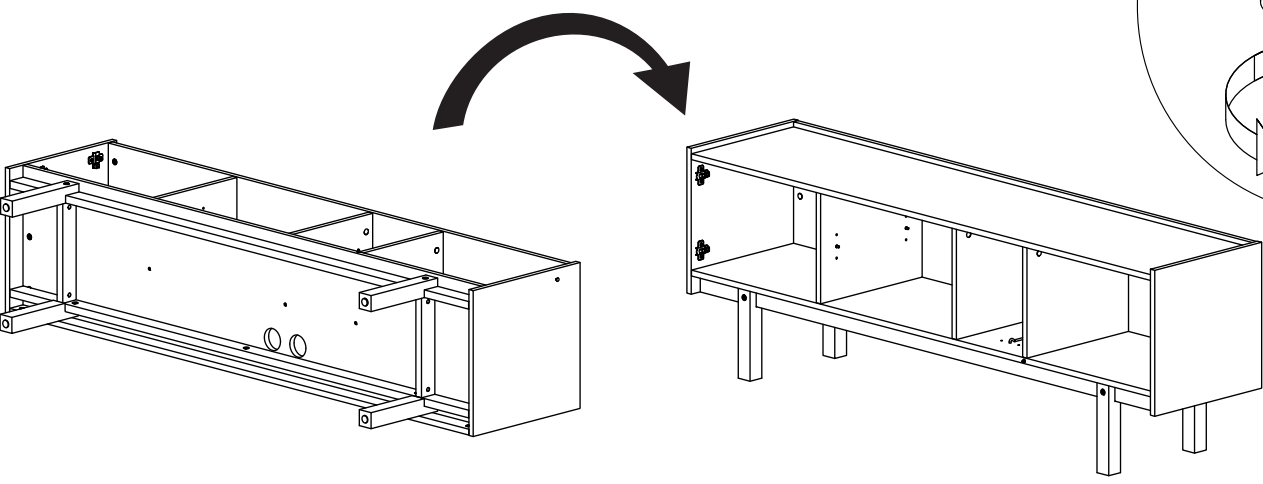
A12x4

A9x4

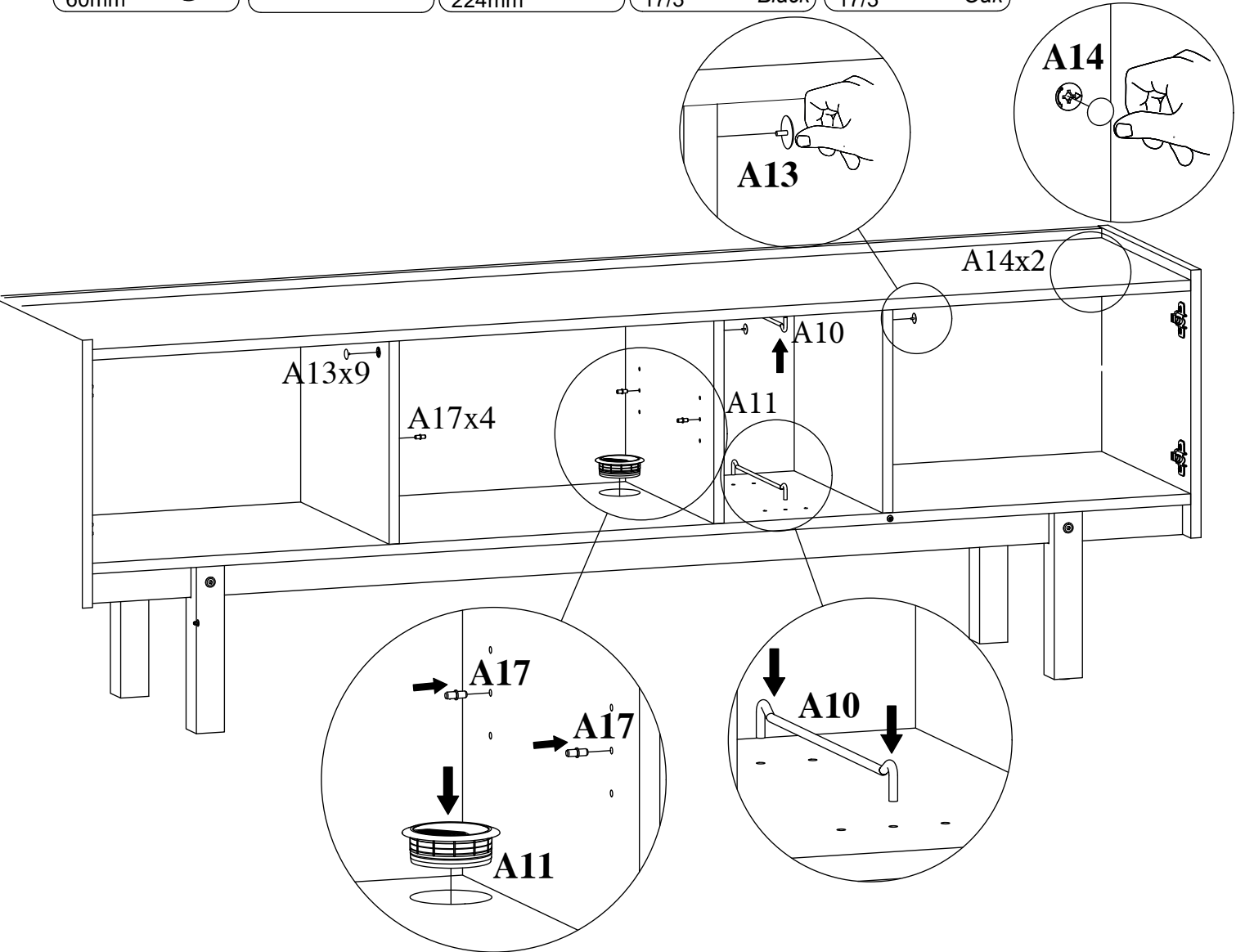
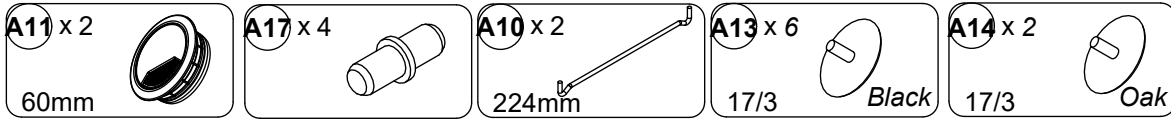


-

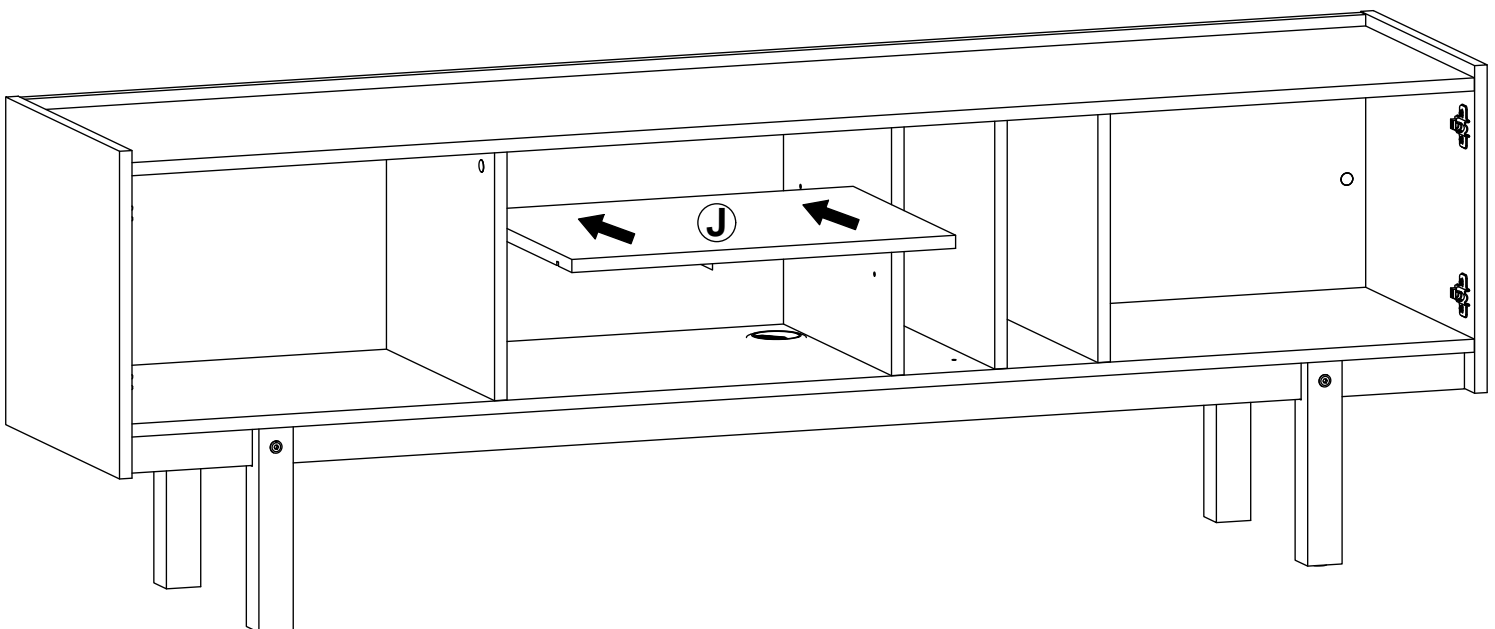
+



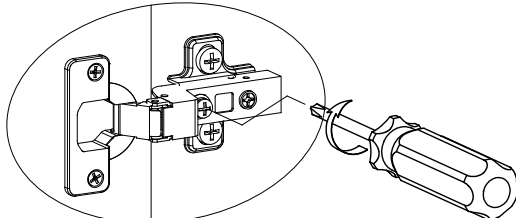
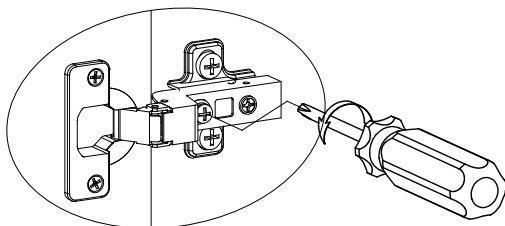
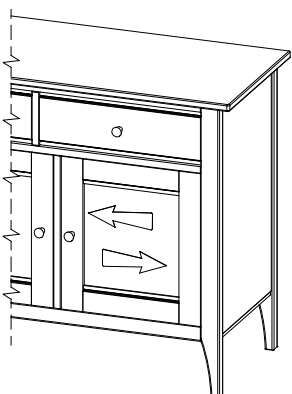
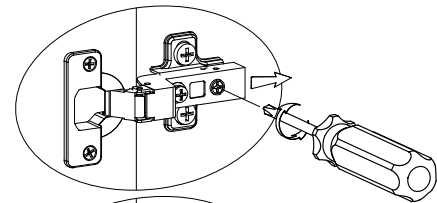
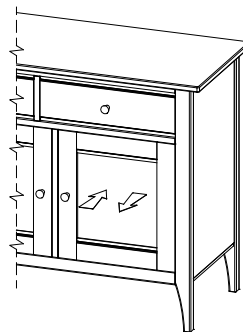
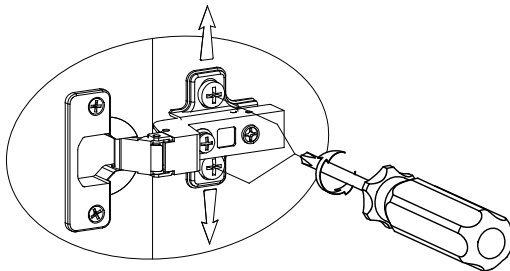
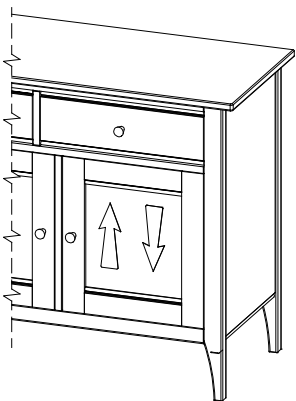
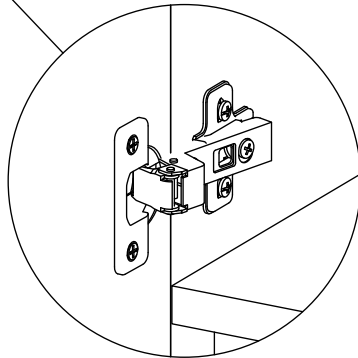
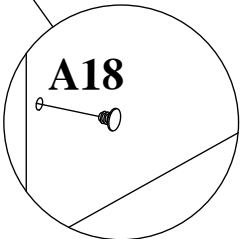
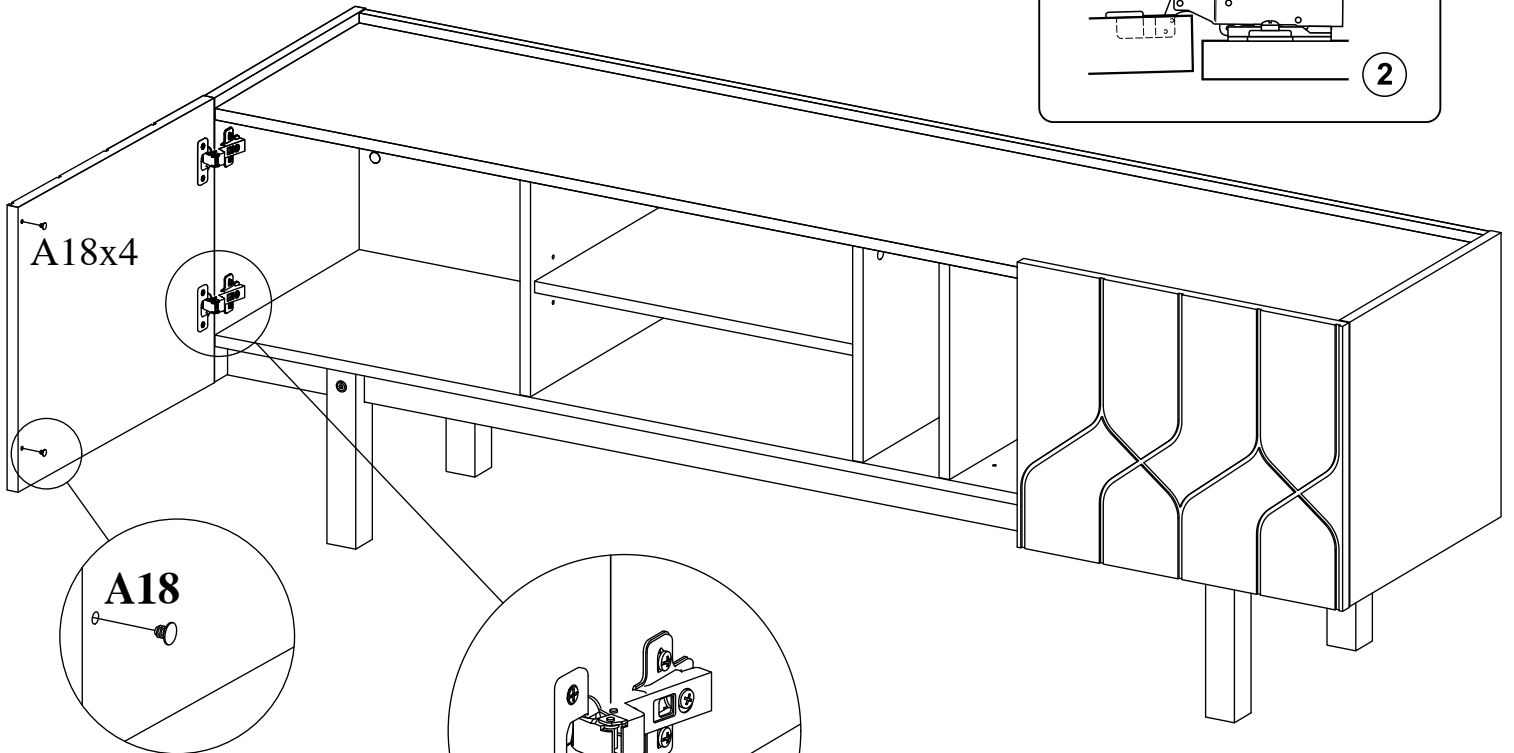
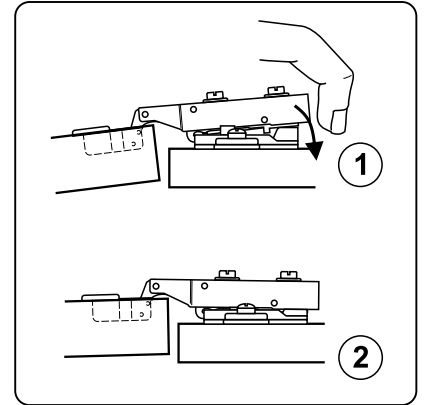
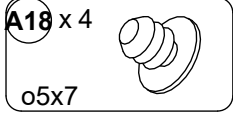
Assembly instructions, 9



Assembly instructions, 10



Assembly instructions, 11



Safety and Care Advice

General care and maintenance

Only clean using a damp cloth and mild detergent, do not use bleach or abrasive cleaners.

From time to time check that there are no loose screws on this unit.

This product should not be discarded with household waste. Take to your local authority waste disposal centre.

Cleaning and care of lacquered surfaces

Regular dusting with a dry cloth will keep your units clean.

Clean marks with a damp cloth.

Do not use abrasive cleaners.

Do not clean with products containing following:

Acetone (e.g. nail varnish remover). Ammonia (e.g. bleach) or Sodium hydroxid (e.g. Caustic soda, drain and oven cleaners) .

To remove stubborn stain, wipe over with damp cloth and washing up liquid.

In the event of accidental contact with aggressive cleaners, rinse thoroughly with water. Use place mats to protect the surface from moisture and heat.

Maximum weight limit

Important: Recommended maximum load for each shelf is shown below.